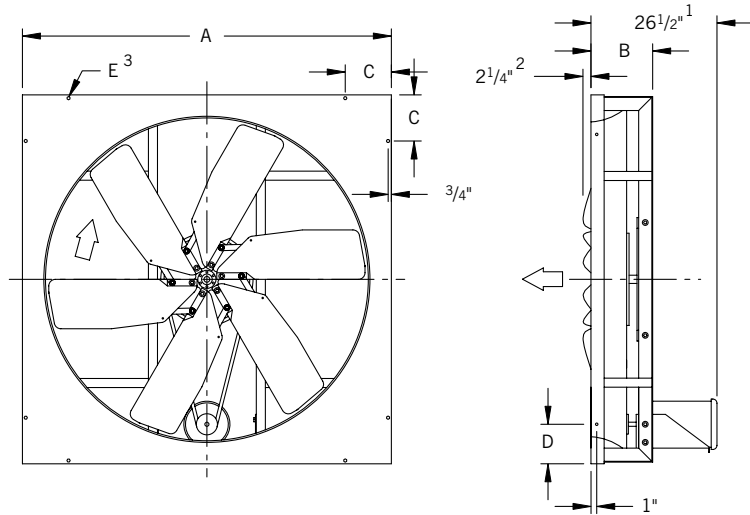


# DIMENSIONS Not to be used for construction unless certified.

## MODEL NYCBHX BELT-DRIVE

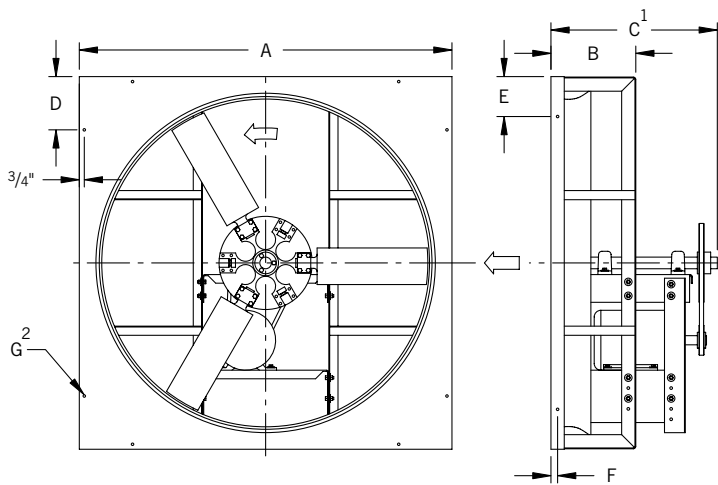


Size	DIMENSIONS [Inches]					Gauges	
	A	B	C	D	E³	Panel	Blade
48	56	12 <sup>3</sup> / <sub>4</sub>	8	6	3/8	12	10
54	62	12 <sup>11</sup> / <sub>16</sub>	8	6	3/8	12	10
60	68	12 <sup>9</sup> / <sub>16</sub>	11	9	1/2	12	10

Tolerance: ± 1/8"

1. Dimension is maximum with constant speed, 3-phase TEFC motor of maximum horsepower for fan size and style indicated. This dimension will vary with the type and HP of the motor actually selected.
2. Maximum blade protrusion beyond panel.
3. Mounting-panel hole diameters.

## MODEL NYCBC BELT-DRIVE



Size	DIMENSIONS [Inches]							Gauge panel
	A	B	C¹	D	E	F	G²	
48	56	12 <sup>3</sup> / <sub>4</sub>	27	8	6	1	3/8	12
54	62	12 <sup>11</sup> / <sub>16</sub>	27	8	6	1	3/8	12
60	68	12 <sup>9</sup> / <sub>16</sub>	27	11	9	1	1/2	12
72	80	17 <sup>7</sup> / <sub>8</sub>	34	13	11	1 1/8	1/2	10
84	92	17 <sup>7</sup> / <sub>8</sub>	34	15	13	1 5/8	1/2	10

Tolerance: ± 1/8"

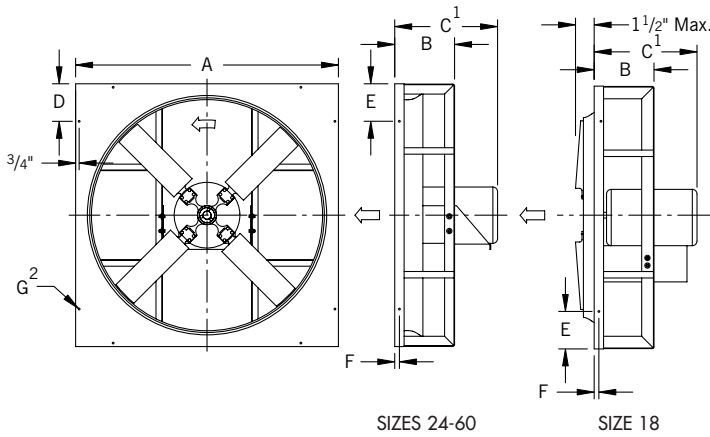
1. Dimension is maximum with constant speed, 3-phase TEFC motor of maximum horsepower for fan size and style indicated. This dimension will vary with the type and HP of the motor actually selected. Drawings of belt, drive, and blade assembly are schematic. Multiple belts are used on certain sizes and HPs. Blade assembly is 3-blade for 48" to 60" and 8-blade for 72" to 84".
2. Mounting-panel hole diameters.

## MODEL NYCBC performance-table notes

- Performance shown is for installation Type A: Free Inlet, Free Outlet. Performance ratings do not include the effects of appurtenances in the airstream. Power rating [BHP] does not include drive losses.
- The sound ratings shown are loudness values in fan sones at 5 ft. [1.5m] in a hemispherical free field calculated per AMCA Standard 301. Values shown are for installation Type A: Free Inlet fan-sones levels. The sound ratings shown are at 0" static pressure.
- BHP at most static pressures listed is less than that shown. Motor loading beyond the nominal nameplate rating does not overheat the motor and is within NEMA-recommended limits and motor service factor due to the moving airstream.
- Shutter models shown are automatic [gravity] type. Add suffix M for manual operation. Add suffix E for motor operation.

# DIMENSIONS **Not to be used for construction unless certified.**

## MODEL NYCDC DIRECT-DRIVE

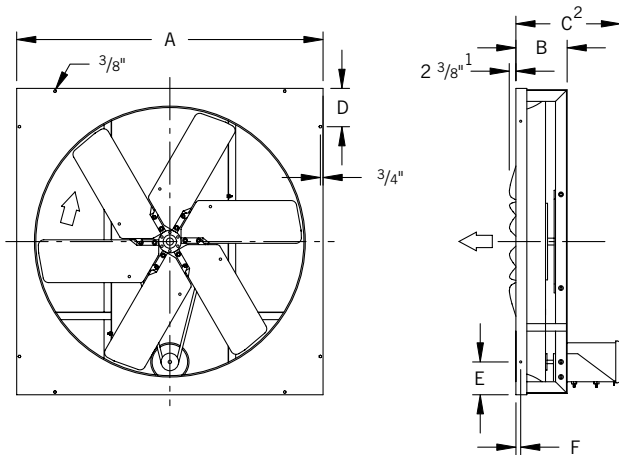


Size	DIMENSIONS [Inches]							Gauge panel
	A	B	C <sup>1</sup>	D	E	F	G <sup>2</sup>	
18	26	6 <sup>3</sup> / <sub>4</sub>	13 <sup>3</sup> / <sub>8</sub>	1 <sup>1</sup> / <sub>16</sub>	1 <sup>1</sup> / <sub>16</sub>	9 <sup>1</sup> / <sub>16</sub>	5 <sup>1</sup> / <sub>16</sub>	18
24	32	10 <sup>5</sup> / <sub>16</sub>	17 <sup>5</sup> / <sub>8</sub>	6	5	7 <sup>7</sup> / <sub>8</sub>	3 <sup>3</sup> / <sub>8</sub>	18
30	38	10 <sup>5</sup> / <sub>16</sub>	19	6	5	7 <sup>7</sup> / <sub>8</sub>	3 <sup>3</sup> / <sub>8</sub>	18
36	44	10 <sup>1</sup> / <sub>16</sub>	20 <sup>1</sup> / <sub>4</sub>	7	5	7 <sup>7</sup> / <sub>8</sub>	3 <sup>3</sup> / <sub>8</sub>	16
42	50	9 <sup>7</sup> / <sub>16</sub>	20 <sup>1</sup> / <sub>4</sub>	7	4	7 <sup>7</sup> / <sub>8</sub>	3 <sup>3</sup> / <sub>8</sub>	16
48	56	12 <sup>3</sup> / <sub>4</sub>	23 <sup>1</sup> / <sub>2</sub>	8	5	1	3 <sup>3</sup> / <sub>8</sub>	12
54	62	12 <sup>11</sup> / <sub>16</sub>	24	8	6	1	3 <sup>3</sup> / <sub>8</sub>	12
60	68	12 <sup>9</sup> / <sub>16</sub>	24	11	9	1	1 <sup>1</sup> / <sub>2</sub>	12

Tolerance: ± 1/8"

1. Dimension is maximum with constant speed, 3-phase TEFC motor of maximum horsepower for fan size and style indicated. This dimension will vary with the type and HP of the motor actually selected.
2. Mounting-panel hole diameters.

## MODELS NYCBL-NYCBH/NY CABL-NY CABH BELT-DRIVE



### MODELS NYCBL/NY CABL

Size	DIMENSIONS [Inches]						Gauges	
	A	B	C <sup>2</sup>	D	E	F	Panel	Blade
24	32	10 <sup>5</sup> / <sub>16</sub>	17 <sup>7</sup> / <sub>8</sub>	6	5	7 <sup>7</sup> / <sub>8</sub>	18	14
30	38	10 <sup>5</sup> / <sub>16</sub>	17 <sup>7</sup> / <sub>8</sub>	6	5	7 <sup>7</sup> / <sub>8</sub>	18	14
36	44	10 <sup>1</sup> / <sub>16</sub>	17 <sup>3</sup> / <sub>4</sub>	7	5	7 <sup>7</sup> / <sub>8</sub>	16	14
42	50	9 <sup>7</sup> / <sub>16</sub>	17 <sup>1</sup> / <sub>8</sub>	7	4	7 <sup>7</sup> / <sub>8</sub>	16	14
48	56	10 <sup>1</sup> / <sub>4</sub>	17 <sup>7</sup> / <sub>8</sub>	8	5	1	16	14

Tolerance: ± 1/8"

### MODELS NYCBH/NY CABH

Size	DIMENSIONS [Inches]						Gauges	
	A	B	C <sup>2</sup>	D	E	F	Panel	Blade
24	32	10 <sup>5</sup> / <sub>16</sub>	18 <sup>1</sup> / <sub>4</sub>	6	5	7 <sup>7</sup> / <sub>8</sub>	18	14
30	38	10 <sup>5</sup> / <sub>16</sub>	20 <sup>1</sup> / <sub>8</sub>	6	5	7 <sup>7</sup> / <sub>8</sub>	18	14
36	44	10 <sup>1</sup> / <sub>16</sub>	22	7	5	7 <sup>7</sup> / <sub>8</sub>	16	14
42	50	9 <sup>7</sup> / <sub>16</sub>	21 <sup>3</sup> / <sub>8</sub>	7	4	7 <sup>7</sup> / <sub>8</sub>	16	14
48	56	10 <sup>1</sup> / <sub>4</sub>	22 <sup>1</sup> / <sub>4</sub>	8	5	1	14	14
54	62	8 <sup>7</sup> / <sub>8</sub>	17 <sup>1</sup> / <sub>4</sub>	8	6	7 <sup>7</sup> / <sub>8</sub>	16	10

Tolerance: ± 1/8"

1. Maximum blade protrusion beyond panel.
2. Dimension is maximum with constant speed, 3-phase TEFC motor of maximum horsepower for fan size and style indicated. This dimension will vary with the type and HP of the motor actually selected.

## CENTRIFUGAL ROOF EXHAUSTERS



### BELT-DRIVE

12 sizes: 6" to 48" diameter  
CFM range: 160 to 35,000 CFM  
Aluminum BI wheel  
Upblast

### DIRECT-DRIVE

6 sizes: 6" to 15" diameter  
CFM range: 25 to 3250 CFM  
Aluminum BI wheel  
Upblast and Downblast



Contact your New York Blower representative for additional information.

The New York Blower Company has a policy of continuous product development and reserves the right to change designs and specifications without notice.