

# DIMENSIONS

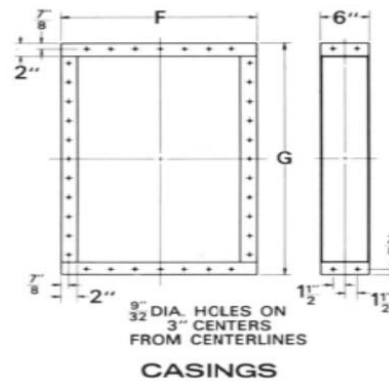
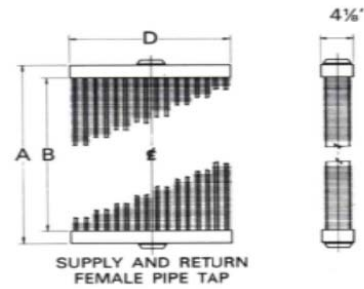
Standard coil nomenclature gives face area dimensions. First 2 digits denote width (D dimension) and last 2 digits denote length (B dimension) except those in tinted area.

Coils shown in tinted area are available but do not conform to above sizing nomenclature as they were created specifically for **nyb** Unit Heaters.

All coils are available with or without casings.

Casings for coils up to 30" tube length are 16 gauge...  
over 30" tube length are 14 gauge.

Tappings are located for vertical installation.



## DIMENSIONS (INCHES)

Size	Coil Face Area	A	B	D	F	G	Supply and Return Tapping	Number Mounting Holes Per Side	Weight (lbs.)
1524	2.50	28	24	15	19 1/4	32 1/4	2 1/2	28	115
1530	3.12	34	30	15	19 1/4	38 1/4	2 1/2	32	140
1536	3.75	40	36	15	19 1/4	44 1/4	2 1/2	36	170
1542	4.38	46	42	15	19 1/4	50 1/4	2 1/2	40	195
1548	5.00	52	48	15	19 1/4	56 1/4	2 1/2	44	225
2024	3.33	28	24	20	24 1/4	32 1/4	2 1/2	32	150
2030	4.17	34	30	20	24 1/4	38 1/4	2 1/2	36	190
2036	5.00	40	36	20	24 1/4	44 1/4	2 1/2	40	225
2042	5.83	46	42	20	24 1/4	50 1/4	2 1/2	44	260
2048	6.66	52	48	20	24 1/4	56 1/4	2 1/2	48	300
2536	6.25	40	36	25	29 1/4	44 1/4	2 1/2	44	280
2542	7.30	46	42	25	29 1/4	50 1/4	2 1/2	48	320
2548	8.34	52	48	25	29 1/4	56 1/4	2 1/2	52	375
2554	9.38	58	54	25	29 1/4	62 1/4	2 1/2	56	425
2560	10.41	64	60	25	29 1/4	68 1/4	2 1/2	60	470
3036	7.50	40	36	30	34 1/4	44 1/4	2 1/2	48	340
3039	8.13	43	39	30	34 1/4	47 1/4	2 1/2	52	365
3042	8.76	46	42	30	34 1/4	50 1/4	2 1/2	52	390
3048	10.00	52	48	30	34 1/4	56 1/4	2 1/2	56	450
3054	11.25	58	54	30	34 1/4	62 1/4	2 1/2	60	510
3060	12.50	64	60	30	34 1/4	68 1/4	2 1/2	64	560
3525	6.08	29	25	35	39 1/4	33 1/4	2 1/2	44	320
3536	8.75	40	36	35	39 1/4	44 1/4	2 1/2	52	390
3542	10.20	46	42	35	39 1/4	50 1/4	2 1/2	56	460
3548	11.65	52	48	35	39 1/4	56 1/4	2 1/2	60	525
3554	13.12	58	54	35	39 1/4	62 1/4	2 1/2	64	590
3560	14.60	64	60	35	39 1/4	68 1/4	2 1/2	68	660
2	0.70	13	10	10	14 1/4	17 1/4	1 1/2	16	38
46	0.96	13 3/8	11 1/2	11 3/4	16	17 5/8	1 1/2	20	50
812	1.29	15 7/8	13 1/2	13 7/8	18	20 1/8	1 1/2	20	70
1420	1.88	19 1/4	16 1/2	16 1/4	20 1/2	23 1/2	2	28	95
1824	2.78	22 7/8	20	20	24 1/4	27 1/8	2	28	130
4256	4.92	31	27	26 1/4	30 1/2	35 1/4	2 1/2	36	220