



THE NEW YORK BLOWER COMPANY
7660 Quincy Street
Willowbrook, IL 60527-5530

Visit us on the Web: <http://www.nyb.com>
Phone: (800) 208-7918 Email: nyb@nyb.com

ENGINEERING SUPPLEMENT
ES-742
June 2007

CENTRIFUGAL UPBLAST ROOF VENTILATORS MODEL TXB BELT-DRIVE/EXHAUST



AMCA SEAL The New York Blower Company certifies that the Model TXB and TXBHP ventilators shown herein are licensed to bear the AMCA Seal. The ratings shown are based on tests and procedures performed in accordance with AMCA Publications 211 and 311 and comply with the requirements of the AMCA Certified Ratings Program.

12 Sizes - from 6" to 48" in diameter.

Airflows - 150 to 35,130 CFM, up to 31/4" SP.

Centrifugal aluminum wheel - with non-overloading, backward inclined tapered blades for maximum efficiency. Suitable for ducted and non-ducted applications.

Neoprene isolators - to reduce vibration and sound.

Mounted disconnect switch - standard with single speed ODP and TE motors.

Vent tube - oversized for maximum motor cooling.

Conduit chase - provided for ease of electrical connection from below roof.

Galvanized bird screen - standard.

Bearings - permanently sealed and lubricated heavy-duty cast pillow block ball bearings, pre-lubricated with zerk fitting, 200,000 hour average life.



Exterior fasteners - stainless steel as standard.

Deep spun inlet - for optimum air and sound performance. Also prevents snow and rain from entering building.

Aluminum construction - for durability and appearance.

Motors - 60 cycle ODP motors are standard.

Motor assembly - motor and drives are isolated from unit to eliminate vibration and noise transmission, mounted out of exhaust airstream.

Motor base - adjustable for proper belt tension.

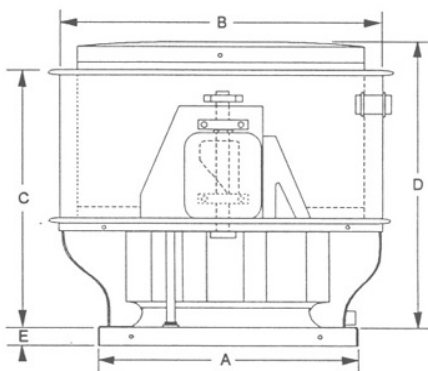
Motor and wheel - removeable as an assembly for ease of maintenance.

Spun top - easily removable for servicing.

Drives - 150% safety factor, adjustable pitch sheaves. Non-static oil resistant V-belts.

Factory test run - for quality assurance.

DIMENSIONS - Not to be used for construction unless certified.



Fan Size	Dimensions [inches]								Approx. shpg. Wt. #
	Damper	Roof Opening	Curb O.D.	A	B	C	D	E	
6	11	11 3/4	14 3/4	16 1/2	24	24	27	1 3/4	66
8	11	11 3/4	14 3/4	16 1/2	24	24	27	1 3/4	69
10	11	11 3/4	14 3/4	16 1/2	27	26	29	1 3/4	69
12	18	19 1/4	22 1/4	24	31 1/2	26	29 1/2	2 1/2	93
15	18	19 1/4	22 1/4	24	31 1/2	26	29 1/2	2 1/2	93
18	24	24 3/4	27 3/4	29 1/2	37 3/4	28 1/2	31 3/4	2 1/2	120
20	24	24 3/4	27 3/4	29 1/2	37 3/4	28 1/2	31 3/4	2 1/2	120
24	30	30 3/4	33 3/4	35 1/2	47 1/4	31 1/2	41	2 1/2	245
30	36	37 3/4	40 3/4	42 1/2	56 3/4	41 1/2	44	2 1/2	365
36	36	37 3/4	40 3/4	42 1/2	66	44 1/2	47 1/2	2 1/2	365
42	48	50 1/4	53 1/4	55	72 1/2	48 1/4	51 1/2	2 1/2	385
48	48	50 1/4	53 1/4	55	78 3/4	52	55	2 1/2	490

MODEL TXB BELT DRIVE/EXHAUST - performance ratings

Fan		CFM												Motor HP	Max. BHP	Sones at 0" SP	Fan RPM
Size	Model	0" SP	1/8" SP	1/4" SP	3/8" SP	1/2" SP	5/8" SP	3/4" SP	1" SP	1 1/4" SP	1 1/2" SP	1 3/4" SP	2" SP				
6	TXB-601	251	177											1/4	0.01	3.5	1070
	TXB-602	276	211											1/4	0.01	4.2	1175
	TXB-603	300	243	157										1/4	0.02	5.0	1280
	TXB-604	325	273	203										1/4	0.02	5.9	1385
	TXB-605	350	302	242	149									1/4	0.03	6.7	1490
	TXB-606	374	330	278	205									1/4	0.04	7.5	1595
	TXB-607	399	358	311	250	159								1/4	0.04	8.5	1700
	TXB-608	423	385	342	290	219								1/4	0.05	9.4	1805
	TXB-609	448	412	372	326	267	183							1/4	0.06	10.4	1910
	TXB-610	473	439	402	360	309	244							1/4	0.07	11.4	2015
	TXB-611	493	460	425	386	340	284	206						1/4	0.08	12.0	2100
	TXB-612	509	477	444	407	364	313	248						1/4	0.09	12.6	2170
	TXB-613	525	495	463	427	387	341	283						1/4	0.10	13.2	2240
	TXB-614	542	512	481	448	410	367	315						1/4	0.11	13.8	2310
	TXB-615	557	528	498	466	430	390	342	204					1/4	0.12	14.3	2375
	TXB-616	574	546	517	486	452	414	370	251					1/4	0.13	14.9	2445
	TXB-617	590	563	535	505	473	437	396	291					1/4	0.14	15.6	2515
	TXB-618	622	596	569	542	512	479	443	356					1/4	0.17	17.1	2650
	TXB-619	642	617	591	564	536	505	472	392	281				1/4	0.18	18.0	2735
	TXB-620	662	637	613	587	560	531	499	426	330				1/4	0.20	18.9	2820
	TXB-621	692	669	645	621	595	569	540	474	392	278			1/4	0.23	20.0	2950
	TXB-622	713	691	668	644	620	594	567	505	431	334			1/4	0.25	21.0	3040
8	TXB-801	431	301											1/4	0.01	3.8	800
	TXB-802	485	379											1/4	0.02	4.6	900
	TXB-803	512	409	224										1/4	0.02	5.1	950
	TXB-804	538	439	294										1/4	0.03	5.6	1000
	TXB-805	565	468	347										1/4	0.03	6.1	1050
	TXB-806	592	496	399										1/4	0.04	6.6	1100
	TXB-807	619	525	441	249									1/4	0.04	7.2	1150
	TXB-808	646	554	480	329									1/4	0.05	7.8	1200
	TXB-809	673	583	519	389									1/4	0.06	8.4	1250
	TXB-810	700	612	553	439	221								1/4	0.06	9.0	1300
	TXB-811	727	641	583	492	328								1/4	0.07	9.7	1350
	TXB-812	781	698	641	571	456	236							1/4	0.09	10.7	1450
	TXB-813	818	738	681	628	526	384							1/4	0.10	11.4	1520
	TXB-814	856	777	722	676	595	476							1/4	0.11	12.2	1590
	TXB-815	896	820	766	721	653	553	420						1/4	0.13	13.0	1665
	TXB-816	972	899	846	802	761	687	587						1/4	0.17	14.5	1805
	TXB-817	993	921	869	825	786	717	627	334					1/4	0.18	15.0	1845
	TXB-818	1034	962	912	869	831	777	706	481					1/4	0.20	16.0	1920
	TXB-819	1074	1005	955	912	875	834	766	583					1/4	0.22	17.1	1995
	TXB-820	1115	1047	998	955	918	883	824	664	390				1/4	0.27	18.1	2070
	TXB-821	1141	1075	1026	984	947	913	865	713	493				1/3	0.27	18.8	2120
	TXB-822	1222	1159	1111	1070	1034	1001	969	858	697				1/3	0.33	21.0	2270

Performance shown is for Installation Type A: Free Inlet, Free Outlet. Performance ratings include the effects of the birdscreen in the airstream. Power rating [BHP] does not include drive losses.

The sound ratings shown are loudness values in fan sones at 5 ft. [1.5m] in a hemispherical free field calculated per AMCA Standard 301. Values shown are for Installation Type A: Free Inlet fan sone levels. The sound ratings shown are at 0" static pressure.

The New York Blower Company has a policy of continuous product development and reserves the right to change designs and specifications without notice.

Motor		CFM												Motor	Max.	Sones	Fan
HP	Model	0" SP	1/8" SP	1/4" SP	3/8" SP	1/2" SP	5/8" SP	3/4" SP	1" SP	1 1/4" SP	1 1/2" SP	1 3/4" SP	2" SP	HP	BHP	at 0" SP	RPM
10	TXB-1002	591	367											1/4	0.02	2.9	680
	TXB-1003	626	422											1/4	0.02	3.3	720
	TXB-1004	660	471											1/4	0.03	3.7	760
	TXB-1005	695	517	252										1/4	0.03	4.2	800
	TXB-1006	765	606	393										1/4	0.04	5.0	880
	TXB-1007	799	650	455										1/4	0.04	5.5	920
	TXB-1008	869	735	573	349									1/4	0.06	6.4	1000
	TXB-1009	904	777	625	420									1/4	0.06	6.8	1040
	TXB-1010	973	858	719	546	332								1/4	0.08	7.6	1120
	TXB-1011	999	888	753	593	394								1/4	0.09	7.9	1150
	TXB-1012	1095	995	875	748	580	388							1/4	0.12	9.0	1260
	TXB-1013	1142	1048	935	815	665	495							1/4	0.13	9.5	1315
	TXB-1014	1186	1096	988	873	741	579	392						1/4	0.15	10.0	1365
	TXB-1015	1234	1147	1046	935	818	666	505						1/4	0.17	11.1	1420
	TXB-1016	1286	1204	1108	1001	894	759	610						1/4	0.19	11.5	1480
	TXB-1017	1312	1232	1139	1035	931	805	658						1/4	0.20	11.9	1510
	TXB-1018	1364	1287	1199	1101	1001	891	752	439					1/4	0.22	12.8	1570
	TXB-1019	1390	1315	1229	1134	1035	932	798	505					1/4	0.24	13.2	1600
TXB-1020	1416	1343	1259	1166	1069	970	845	564					1/4	0.25	13.6	1630	
TXB-1021	1451	1379	1298	1208	1113	1019	905	638					1/3	0.27	14.2	1670	
TXB-1022	1546	1480	1406	1324	1235	1147	1055	817	545				1/3	0.33	15.9	1780	
TXB-1023	1577	1512	1439	1360	1273	1187	1098	871	616				1/2	0.35	16.4	1815	
TXB-1024	1781	1724	1662	1595	1523	1446	1369	1212	1006	789	509		1/2	0.50	20.0	2050	
12	TXB-12162	1120	1016	916	789	623								1/4	0.11	8.7	1115
	TXB-12163	1185	1085	994	883	740	539							1/4	0.13	9.8	1180
	TXB-12164	1251	1154	1070	970	845	693	383						1/4	0.15	10.6	1245
	TXB-12165	1316	1223	1144	1054	945	812	638						1/4	0.18	11.5	1310
	TXB-12251	1346	1255	1177	1091	988	862	709						1/4	0.19	12.0	1340
	TXB-12252	1381	1292	1217	1134	1037	918	782						1/4	0.21	12.5	1375
	TXB-12253	1411	1323	1250	1170	1077	966	837						1/4	0.22	13.0	1405
	TXB-12254	1446	1360	1288	1211	1124	1019	898	461					1/4	0.24	13.6	1440
	TXB-12255	1477	1391	1321	1246	1163	1064	948	610					1/4	0.25	14.1	1470
	TXB-12256	1507	1423	1353	1281	1201	1107	996	703					1/4	0.27	14.6	1500
	TXB-12331	1542	1459	1391	1322	1245	1156	1051	791					1/3	0.29	15.2	1535
	TXB-12332	1577	1496	1429	1362	1288	1204	1105	867					1/3	0.31	15.9	1570
	TXB-12333	1617	1538	1472	1407	1336	1256	1165	944	515				1/3	0.33	16.6	1610
	TXB-12334	1652	1574	1509	1446	1378	1302	1215	1006	687				1/3	0.35	17.2	1645
	TXB-12501	1713	1636	1573	1513	1448	1378	1298	1106	858				1/2	0.39	19.0	1705
	TXB-12502	1773	1699	1637	1579	1517	1451	1378	1202	898	573			1/2	0.44	20.0	1765
	TXB-12503	1838	1766	1706	1650	1592	1529	1462	1302	1109	841			1/2	0.49	22.0	1830
	TXB-12504	1898	1828	1769	1715	1659	1600	1537	1390	1211	992			1/2	0.54	24.0	1890
TXB-12751	1969	1900	1843	1790	1738	1681	1622	1487	1323	1134	858		3/4	0.60	25.0	1960	
TXB-12752	2039	1972	1917	1865	1815	1761	1705	1581	1432	1258	1045	601	3/4	0.67	27.0	2030	
TXB-12753	2104	2039	1985	1934	1886	1835	1781	1665	1528	1366	1184	917	3/4	0.73	29.0	2095	
TXB-12754	2175	2111	2058	2009	1961	1913	1862	1753	1627	1478	1312	1105	3/4	0.81	32.0	2165	
15	TXB-15162	1742	1544	1349	1059									1/4	0.12	7.7	785
	TXB-15163	1930	1754	1582	1373	1052								1/4	0.17	9.1	870
	TXB-15251	1975	1803	1635	1437	1150								1/4	0.18	9.4	890
	TXB-15252	2019	1852	1686	1500	1238								1/4	0.19	9.8	910
	TXB-15253	2064	1900	1737	1560	1319	852							1/4	0.20	10.2	930
	TXB-15254	2119	1960	1799	1634	1413	1067							1/4	0.22	10.6	955
	TXB-15255	2163	2008	1849	1691	1484	1188							1/4	0.24	10.9	975
	TXB-15256	2208	2055	1899	1747	1553	1286							1/4	0.25	11.2	995
	TXB-15331	2285	2138	1986	1843	1667	1436	1046						1/3	0.28	11.8	1030
	TXB-15332	2352	2208	2060	1923	1760	1551	1256						1/3	0.30	12.4	1060
	TXB-15333	2430	2290	2146	2015	1864	1677	1431						1/3	0.33	12.9	1095
	TXB-15501	2518	2383	2246	2117	1978	1811	1599						1/2	0.37	13.6	1135
	TXB-15502	2607	2475	2345	2217	2089	1937	1750	1062					1/2	0.41	14.4	1175
	TXB-15503	2696	2568	2443	2317	2197	2057	1890	1396					1/2	0.46	15.1	1215
	TXB-15504	2785	2660	2541	2416	2302	2172	2021	1609					1/2	0.50	15.9	1255
	TXB-15751	2885	2764	2650	2527	2418	2298	2161	1804					3/4	0.56	16.8	1300
	TXB-15752	2984	2867	2759	2638	2531	2421	2294	1977	1470				3/4	0.62	17.7	1345
	TXB-15753	3084	2970	2866	2750	2643	2540	2423	2138	1736				3/4	0.68	18.6	1390
TXB-15754	3184	3073	2972	2862	2755	2656	2548	2288	1941	1250			3/4	0.75	19.5	1435	
TXB-15101	3273	3165	3066	2960	2853	2757	2656	2415	2103	1622			1	0.82	20.0	1475	
TXB-15102	3362	3256	3160	3058	2952	2858	2762	2537	2252	1863			1	0.88	21.0	1515	
TXB-15103	3439	3336	3241	3144	3039	2945	2854	2640	2376	2031	1351		1	0.95	22.0	1550	
TXB-15104	3528	3427	3334	3241	3139	3044	2955	2755	2511	2201	1730		1	1.02	23.0	1590	
TXB-15151	3761	3665	3578	3493	3398	3303	3219	3045	2840	2593	2284	1815	1 1/2	1.24	25.0	1695	
TXB-15152	4005	3914	3832	3752	3667	3577	3491	3334	3157	2953	2710	2412	1 1/2	1.49	28.0	1805	

Performance shown is for Installation Type A: Free Inlet, Free Outlet. Performance ratings include the effects of the birdscreen in the airstream. Power rating [BHP] does not include drive losses.

The sound ratings shown are loudness values in fan sones at 5 ft. [1.5m] in a hemispherical free field calculated per AMCA Standard 301. Values shown are for Installation Type A: Free Inlet fan sone levels. The sound ratings shown are at 0" static pressure.

Fan		CFM												Motor	Max.	Sones	Fan
Size	Model	1/4"SP	3/8"SP	1/2"SP	5/8"SP	3/4"SP	1"SP	1 1/4"SP	1 1/2"SP	1 3/4"SP	2"SP	2 1/4"SP	2 1/2"SP	HP	BHP	at 1/4" SP	RPM
15 HP	TXBHP-15251	1592	1432	1203										1/4	0.18	8.8	935
	TXBHP-15252	1637	1486	1274	908									1/4	0.19	9.2	955
	TXBHP-15253	1694	1553	1358	1059									1/4	0.21	9.7	980
	TXBHP-15254	1739	1604	1422	1158									1/4	0.22	10.1	1000
	TXBHP-15255	1795	1667	1497	1266									1/4	0.24	10.5	1025
	TXBHP-15256	1839	1717	1556	1343	986								1/4	0.25	11.0	1045
	TXBHP-15331	1917	1801	1654	1467	1194								1/3	0.28	11.6	1080
	TXBHP-15332	1984	1870	1736	1564	1333								1/3	0.30	12.2	1110
	TXBHP-15333	2062	1950	1828	1671	1472								1/3	0.33	13.0	1145
	TXBHP-15501	2165	2051	1942	1801	1630	1005							1/2	0.37	13.7	1190
	TXBHP-15502	2258	2141	2039	1911	1757	1287							1/2	0.41	14.5	1230
	TXBHP-15503	2350	2231	2132	2017	1877	1488							1/2	0.45	15.5	1270
	TXBHP-15504	2442	2320	2224	2119	1991	1654							1/2	0.49	16.5	1310
	TXBHP-15751	2555	2431	2337	2243	2127	1835	1348						3/4	0.55	17.6	1360
	TXBHP-15752	2656	2531	2438	2349	2245	1981	1594						3/4	0.61	18.7	1405
	TXBHP-15753	2768	2646	2550	2464	2372	2133	1812	1208					3/4	0.68	20.0	1455
	TXBHP-15754	2867	2751	2650	2566	2483	2263	1980	1539					3/4	0.74	21.0	1500
	TXBHP-15101	2966	2854	2750	2668	2587	2388	2133	1774					1	0.81	23.0	1545
	TXBHP-15102	3064	2958	2851	2769	2691	2508	2275	1969	1461				1	0.88	24.0	1590
	TXBHP-15103	3161	3060	2951	2870	2793	2625	2409	2140	1747				1	0.96	25.0	1635
TXBHP-15104	3258	3162	3056	2970	2895	2738	2539	2295	1968	1394			1	1.04	26.0	1680	
TXBHP-15151	3483	3396	3298	3203	3130	2990	2824	2622	2379	2054	1508		1 1/2	1.25	30.0	1785	
TXBHP-15152	3716	3639	3550	3455	3375	3241	3103	2932	2733	2496	2186	1704	1 1/2	1.50	34.0	1895	
Fan		CFM												Motor	Max.	Sones	Fan
Size	Model	0" SP	1/8"SP	1/4"SP	3/8"SP	1/2"SP	5/8"SP	3/4"SP	1"SP	1 1/4"SP	1 1/2"SP	1 3/4"SP	2"SP	HP	BHP	at 0" SP	RPM
18	TXB-18254	2681	2476	2261	2011	1693								1/4	0.25	9.8	745
	TXB-18331	2753	2553	2346	2107	1817								1/3	0.27	10.2	765
	TXB-18332	2825	2630	2430	2201	1932								1/3	0.29	10.6	785
	TXB-18333	2879	2688	2493	2271	2014	1655							1/3	0.31	11.0	800
	TXB-18334	2950	2764	2576	2362	2120	1807							1/3	0.33	11.4	820
	TXB-18501	3058	2879	2698	2496	2271	2000							1/2	0.37	12.1	850
	TXB-18502	3166	2992	2819	2628	2417	2173	1844						1/2	0.41	12.8	880
	TXB-18503	3274	3106	2939	2758	2558	2334	2058						1/2	0.45	13.5	910
	TXB-18504	3382	3219	3058	2886	2696	2488	2243						1/2	0.50	14.1	940
	TXB-18751	3472	3313	3156	2991	2809	2611	2386						3/4	0.54	14.8	965
	TXB-18752	3580	3426	3274	3116	2942	2755	2548						3/4	0.59	15.5	995
	TXB-18753	3670	3519	3371	3219	3052	2872	2675	2160					3/4	0.64	16.1	1020
	TXB-18754	3778	3631	3488	3341	3181	3010	2826	2372					3/4	0.70	16.9	1050
	TXB-18755	3868	3725	3584	3442	3288	3123	2950	2786					3/4	0.85	17.5	1075
	TXB-18101	4030	3892	3757	3621	3478	3323	3158	2786	2240				1	0.85	18.7	1120
	TXB-18102	4174	4041	3910	3780	3644	3497	3341	2999	2558				1	0.94	19.7	1160
	TXB-18103	4318	4189	4063	3937	3808	3668	3521	3201	2816				1	1.04	21.0	1200
	TXB-18151	4498	4374	4253	4132	4009	3879	3741	3444	3103	2651			1 1/2	1.18	22.0	1250
	TXB-18152	4678	4558	4442	4326	4208	4087	3957	3678	3369	2995			1 1/2	1.33	24.0	1300
	TXB-18153	4857	4742	4630	4518	4406	4291	4169	3906	3621	3292	2862		1 1/2	1.49	25.0	1350
TXB-18201	5037	4926	4818	4710	4602	4492	4377	4129	3862	3566	3208	2665	2	1.66	27.0	1400	
TXB-18202	5217	5110	5005	4901	4797	4692	4583	4348	4096	3823	3509	3112	2	1.84	28.0	1450	
TXB-18203	5397	5293	5192	5091	4991	4889	4786	4564	4325	4069	3786	3451	2	2.04	30.0	1500	
Fan		CFM												Motor	Max.	Sones	Fan
Size	Model	5/8"SP	3/4"SP	1"SP	1 1/4"SP	1 1/2"SP	1 3/4"SP	2"SP	2 1/4"SP	2 1/2"SP	2 3/4"SP	3"SP	3 1/4"SP	HP	BHP	at 5/8" SP	RPM
18 HP	TXBHP-18333	1731	1293											1/3	0.31	14.5	865
	TXBHP-18334	1842	1480											1/3	0.33	15.0	885
	TXBHP-18501	2021	1729											1/2	0.37	15.9	920
	TXBHP-18502	2164	1910											1/2	0.41	16.7	950
	TXBHP-18503	2323	2099	1244										1/2	0.46	17.8	985
	TXBHP-18504	2456	2249	1651										1/2	0.50	19.4	1015
	TXBHP-18751	2584	2391	1881										3/4	0.55	21.0	1045
	TXBHP-18752	2707	2527	2076										3/4	0.59	23.0	1075
	TXBHP-18753	2808	2639	2223										3/4	0.64	24.0	1100
	TXBHP-18754	2925	2768	2386	1802									3/4	0.69	28.0	1130
	TXBHP-18755	3040	2894	2538	2044									3/4	0.75	29.0	1160
	TXBHP-18101	3206	3076	2753	2340									1	0.84	33.0	1205
	TXBHP-18102	3388	3270	2980	2623	2120								1	0.95	40.0	1255
	TXBHP-18103	3548	3439	3176	2852	2439								1	1.05	42.0	1300
	TXBHP-18151	3742	3639	3405	3114	2766	2285							1 1/2	1.19	44.0	1355
	TXBHP-18152	3935	3837	3625	3362	3055	2671	2083						1 1/2	1.35	44.0	1410
	TXBHP-18153	4126	4032	3837	3600	3321	2995	2568						1 1/2	1.51	49.0	1465
	TXBHP-18201	4315	4224	4040	3828	3573	3284	2934	2453					2	1.69	52.0	1520
	TXBHP-18202	4503	4416	4240	4047	3816	3553	3250	2873					2	1.87	55.0	1575
	TXBHP-18203	4690	4606	4437	4259	4049	3806	3537	3219	2813				2	2.08	57.0	1630
TXBHP-183001	5061	4983	4825	4665	4490	4287	4057	3807	3518	3168	2690		3	2.53	62.0	1740	
TXBHP-183002	5428	5356	5208	5059	4906	4735	4540	4323	4090	3829	3522	3141	3	3.04	68.0	1850	

Performance shown is for Installation Type A: Free Inlet, Free Outlet. Performance ratings include the effects of the birdscreen in the airstream. Power rating [BHP] does not include drive losses.

The sound ratings shown are loudness values in fan sonos at 5 ft. [1 .5m] in a hemispherical free field calculated per AMCA Standard 301. Values shown are for Installation Type A: Free Inlet fan sone levels. The sound ratings shown for Size 15HP are at 1/4" SP, 0" SP for Size 18, and 5/8" SP for Size 18 HP.

Fan		CFM											Motor	Max.	Sones	Fan	
Size	Model	0"SP	1/8"SP	1/4"SP	3/8"SP	1/2"SP	5/8"SP	3/4"SP	7/8"SP	1"SP	1 1/4"SP	1 1/2"SP	1 3/4"SP	HP	BHP	at 0" SP	RPM
20	TXB-20251	2813	2452	1962										1/4	0.17	7.6	525
	TXB-20252	3322	3023	2684	2182	1366								1/4	0.27	10.3	620
	TXB-20331	3429	3140	2818	2376	1660								1/3	0.30	10.7	640
	TXB-20332	3617	3345	3045	2676	2087	1191							1/3	0.36	11.4	675
	TXB-20501	3777	3518	3235	2906	2407	1708							1/2	0.41	11.9	705
	TXB-20502	3965	3719	3452	3155	2753	2165	1318						1/2	0.47	12.8	740
	TXB-20503	4152	3919	3666	3392	3054	2554	1910						1/2	0.54	13.7	775
	TXB-20751	4286	4060	3817	3557	3250	2813	2242	1439					3/4	0.59	14.4	800
	TXB-20752	4420	4202	3967	3718	3436	3056	2537	1883					3/4	0.65	15.2	825
	TXB-20753	4554	4343	4116	3877	3612	3278	2809	2241	1423				3/4	0.71	16.0	850
	TXB-20754	4688	4483	4264	4034	3784	3482	3067	2554	1902				3/4	0.77	16.9	875
	TXB-20101	4849	4651	4441	4220	3984	3713	3359	2894	2346				1	0.86	17.8	905
	TXB-20102	5037	4846	4645	4434	4212	3967	3665	3261	2785				1	0.96	18.9	940
	TXB-20103	5224	5041	4848	4646	4436	4208	3944	3605	3175	2072			1	1.07	20.0	975
	TXB-20151	5412	5235	5050	4856	4656	4442	4205	3915	3538	2598			1 1/2	1.19	22.0	1010
	TXB-20152	5599	5429	5251	5065	4873	4671	4452	4197	3879	3043			1 1/2	1.32	23.0	1045
	TXB-20153	5787	5622	5451	5272	5087	4895	4690	4462	4187	3441			1 1/2	1.46	24.0	1080
	TXB-20154	5974	5815	5649	5477	5300	5116	4923	4713	4470	3808			1 1/2	1.60	26.0	1115
	TXB-20201	6162	6008	5848	5682	5510	5335	5151	4954	4736	4163			2	1.76	27.0	1150
	TXB-20202	6296	6145	5989	5827	5660	5489	5311	5123	4918	4398			2	1.88	28.0	1175
TXB-20203	6430	6282	6130	5972	5809	5642	5470	5289	5094	4618			2	2.00	29.0	1200	
TXB-20204	6564	6419	6270	6116	5957	5795	5627	5452	5267	4825			2	2.12	30.0	1225	
Fan		CFM											Motor	Max.	Sones	Fan	
Size	Model	3/8"SP	1/2"SP	5/8"SP	3/4"SP	7/8"SP	1"SP	1 1/4"SP	1 1/2"SP	1 3/4"SP	2"SP	2 1/4"SP	2 1/2"SP	HP	BHP	at 3/8" SP	RPM
20 HP	TXBHP-20501	2306	1802	1224										1/2	0.29	8.6	700
	TXBHP-20502	2596	2248	1720	1144									1/2	0.36	9.3	750
	TXBHP-20503	2862	2610	2168	1680	1105								1/2	0.44	10.2	800
	TXBHP-20504	3116	2908	2605	2142	1676	1108							1/2	0.53	11.1	850
	TXBHP-20751	3240	3046	2788	2363	1919	1430							3/4	0.57	11.5	875
	TXBHP-20752	3387	3207	2985	2639	2196	1754							3/4	0.64	12.2	905
	TXBHP-20753	3533	3363	3164	2884	2464	2048	990						3/4	0.70	13.0	935
	TXBHP-20754	3677	3515	3333	3098	2738	2325	1438						3/4	0.77	13.7	965
	TXBHP-20101	3939	3789	3628	3442	3189	2819	2044	995					1	0.91	15.1	1020
	TXBHP-20102	4176	4033	3885	3722	3527	3255	2518	1732					1	1.05	16.5	1070
	TXBHP-20151	4363	4225	4086	3936	3765	3548	2878	2165	1235				1 1/2	1.17	17.6	1110
	TXBHP-20152	4549	4416	4283	4143	3989	3808	3241	2554	1801				1 1/2	1.31	18.7	1150
	TXBHP-20153	4734	4606	4478	4346	4204	4044	3589	2921	2247	1378			1 1/2	1.44	19.7	1190
	TXBHP-20154	4896	4772	4647	4521	4387	4240	3855	3233	2595	1872			1 1/2	1.57	21.0	1225
	TXBHP-20201	5102	4983	4862	4742	4617	4483	4158	3644	3016	2379	1592		2	1.76	22.0	1270
	TXBHP-20202	5284	5170	5053	4937	4817	4692	4403	3983	3375	2778	2115		2	1.93	23.0	1310
	TXBHP-20203	5466	5355	5243	5129	5015	4897	4632	4280	3735	3154	2554	1837	2	2.11	24.0	1350
	TXBHP-20301	5647	5540	5431	5321	5211	5098	4852	4548	4096	3515	2952	2337	3	2.30	26.0	1390
	TXBHP-20302	5805	5701	5595	5487	5381	5272	5039	4765	4380	3825	3282	2713	3	2.48	27.0	1425
	TXBHP-20303	5962	5862	5759	5654	5549	5444	5222	4968	4635	4149	3600	3062	3	2.67	28.0	1460
TXBHP-20304	6120	6021	5921	5819	5717	5615	5402	5164	4871	4455	3912	3394	3	2.87	29.0	1495	
TXBHP-20305	6276	6181	6083	5984	5883	5784	5579	5354	5091	4732	4228	3714	3	3.08	30.0	1530	
Fan		CFM											Motor	Max.	Sones	Fan	
Size	Model	0"SP	1/8"SP	1/4"SP	3/8"SP	1/2"SP	5/8"SP	3/4"SP	1"SP	1 1/4"SP	1 1/2"SP	1 3/4"SP	2"SP	HP	BHP	at 0" SP	RPM
24	TXB-24331	4371	3985	3490	2537									1/3	0.29	9.8	475
	TXB-24332	4555	4188	3731	3018									1/3	0.33	10.3	495
	TXB-24501	4601	4238	3789	3114									1/2	0.34	10.4	500
	TXB-24502	4831	4488	4077	3516	2235								1/2	0.40	11.1	525
	TXB-24503	5015	4687	4300	3800	2825								1/2	0.44	11.6	545
	TXB-24504	5199	4884	4519	4063	3346								1/2	0.50	12.2	565
	TXB-24751	5291	4982	4626	4190	3552	1261							3/4	0.52	12.6	575
	TXB-24752	5705	5421	5103	4730	4259	3462							3/4	0.66	14.3	620
	TXB-24753	5935	5663	5362	5016	4596	4012	2813						3/4	0.74	15.4	645
	TXB-24754	5981	5712	5413	5072	4661	4099	2979						3/4	0.75	15.6	650
	TXB-24101	6212	5953	5669	5349	4975	4498	3680						1	0.84	16.6	675
	TXB-24102	6396	6145	5871	5567	5216	4787	4163						1	0.92	17.4	695
	TXB-24103	6580	6336	6073	5782	5451	5058	4541						1	1.00	18.4	715
	TXB-24104	6626	6384	6123	5835	5509	5124	4623						1	1.03	18.6	720
	TXB-24151	6856	6623	6373	6099	5794	5442	5011	3256					1 1/2	1.14	19.8	745
	TXB-24152	7178	6956	6720	6464	6183	5867	5498	4265					1 1/2	1.30	21.0	780
	TXB-24153	7362	7146	6917	6670	6401	6102	5759	4754					1 1/2	1.41	23.0	800
	TXB-24154	7546	7336	7113	6874	6616	6332	6010	5146	2245				1 1/2	1.51	24.0	820
	TXB-24201	7730	7525	7309	7078	6829	6557	6254	5477	3873				2	1.63	25.0	840
	TXB-24202	7960	7761	7552	7330	7092	6835	6552	5854	4566				2	1.78	26.0	865
TXB-24203	8098	7903	7698	7481	7249	6999	6726	6067	4977				2	1.87	27.0	880	
TXB-24204	8282	8091	7892	7681	7457	7216	6956	6339	5433				2	2.00	28.0	900	
TXB-24301	8742	8562	8374	8178	7970	7750	7514	6979	6292	5073			3	2.35	30.0	950	
TXB-24302	9432	9266	9093	8914	8727	8531	8324	7869	7334	6649	5447		3	2.96	32.0	1025	

Performance shown is for Installation Type A: Free Inlet, Free Outlet. Performance ratings include the effects of the birdscreen in the airstream. Power rating [BHP] does not include drive losses.

The sound ratings shown are loudness values in fan sones at 5 ft. [1.5m] in a hemispherical free field calculated per AMCA Standard 301. Values shown are for Installation Type A: Free Inlet fan sone levels. The sound ratings shown for Sizes 20 and 24 are at 0" SP and 3/8" SP for Size 20 HP.

Fan		CFM											Motor	Max.	Sones	Fan	
Size	Model	1/2"SP	5/8"SP	3/4"SP	1"SP	1 1/4"SP	1 1/2"SP	1 3/4"SP	2"SP	2 1/4"SP	2 1/2"SP	2 3/4"SP	3"SP	HP	BHP	at 1/2"	RPM
24 HP	TXBHP-24501	2564												1/2	0.37	6.8	580
	TXBHP-24503	3218	1910											1/2	0.46	8.2	620
	TXBHP-24504	3487	2680											1/2	0.51	9.0	640
	TXBHP-24751	3793	3170	1176										3/4	0.57	9.9	665
	TXBHP-24752	4018	3481	2423										3/4	0.62	10.6	685
	TXBHP-24754	4495	4079	3498										3/4	0.75	12.7	730
	TXBHP-24101	4697	4315	3808										1	0.82	13.4	750
	TXBHP-24102	4896	4538	4089	1449									1	0.89	14.2	770
	TXBHP-24103	5092	4753	4349	2752									1	0.96	15.0	790
	TXBHP-24104	5285	4962	4593	3401									1	1.03	15.8	810
	TXBHP-24151	5570	5267	4933	3991									1 1/2	1.14	17.0	840
	TXBHP-24152	5855	5563	5255	4455	2164								1 1/2	1.27	18.3	870
	TXBHP-24153	6088	5806	5515	4800	3525								1 1/2	1.39	19.3	895
	TXBHP-24154	6364	6094	5818	5180	4210								1 1/2	1.53	21.0	925
	TXBHP-24201	6591	6331	6065	5473	4639	2153							2	1.66	22.0	950
	TXBHP-24202	6816	6567	6308	5751	5014	3684							2	1.79	23.0	975
	TXBHP-24203	6993	6754	6501	5967	5291	4234							2	1.91	24.0	995
TXBHP-24204	7214	6985	6739	6229	5616	4735	1981						2	2.06	25.0	1020	
TXBHP-24301	7822	7619	7399	6934	6429	5797	4895	2096					3	2.51	29.0	1090	
TXBHP-24302	8460	8281	8086	7660	7217	6720	6093	5228	2739				3	3.06	34.0	1165	
TXBHP-245001	9338	9183	9017	8646	8253	7843	7390	6845	6151	5107	2122		5	3.97	38.0	1270	
TXBHP-245002	10248	10108	9964	9649	9298	8932	8555	8146	7678	7107	6392	5248	5	5.09	42.0	1380	
Fan		CFM											Motor	Max.	Sones	Fan	
Size	Model	1/8"SP	1/4"SP	3/8"SP	1/2"SP	5/8"SP	3/4"SP	1"SP	1 1/4"SP	1 1/2"SP	1 3/4"SP	2"SP	2 1/4"SP	HP	BHP	at 1/8" SP	RPM
30	TXB-30501	5572	4639											1/2	0.38	6.7	370
	TXB-30502	5860	5005	3594										1/2	0.43	7.2	385
	TXB-30503	6240	5466	4315										1/2	0.50	7.9	405
	TXB-30751	6615	5902	4931	3194									3/4	0.58	8.6	425
	TXB-30752	6987	6322	5474	4167									3/4	0.67	9.3	445
	TXB-30753	7356	6730	5973	4894									3/4	0.76	10.0	465
	TXB-30101	7631	7032	6328	5375	3866								1	0.83	10.7	480
	TXB-30102	7904	7328	6671	5814	4598								1	0.91	11.3	495
	TXB-30103	8176	7622	7003	6221	5125								1	1.00	11.9	510
	TXB-30151	8628	8106	7534	6850	5959	4685							1 1/2	1.15	13.1	535
	TXB-30152	9078	8583	8050	7440	6682	5662							1 1/2	1.32	14.2	560
	TXB-30153	9525	9055	8555	8001	7334	6495							1 1/2	1.51	15.3	585
	TXB-30201	9881	9429	8951	8431	7824	7087	4766						2	1.67	16.2	605
	TXB-30202	10325	9894	9440	8954	8407	7758	5919						2	1.89	17.3	630
	TXB-30203	10680	10263	9827	9364	8855	8262	6658						2	2.07	18.1	650
	TXB-30301	11122	10721	10306	9868	9397	8860	7484	5245					3	2.31	19.3	675
	TXB-30302	11650	11268	10874	10462	10024	9545	8360	6643					3	2.64	20.0	705
	TXB-30303	12177	11812	11437	11047	10637	10199	9152	7730	5454				3	3.00	22.0	735
	TXB-305001	12966	12623	12273	11911	11535	11140	10244	9119	7571				5	3.57	24.0	780
TXB-305002	13839	13518	13191	12856	12511	12152	11374	10439	9268	7696			5	4.32	26.0	830	
TXB-305003	14623	14319	14011	13696	13373	13040	12332	11522	10552	9325	7711		5	5.05	29.0	875	
TXB-307501	15752	15471	15185	14895	14599	14296	13661	12977	12187	11261	10120	8680	7 1/2	6.26	32.0	940	
TXB-307502	16792	16528	16261	15990	15715	15434	14854	14238	13564	12794	11905	10831	7 1/2	7.54	36.0	1000	
Fan		CFM											Motor	Max.	Sones	Fan	
Size	Model	1/4"SP	3/8"SP	1/2"SP	5/8"SP	3/4"SP	1"SP	1 1/4"SP	1 1/2"SP	1 3/4"SP	2"SP	2 1/4"SP	2 1/2"SP	HP	BHP	at 1/4" SP	RPM
30 HP	TXBHP-30501	4666	3395											1/2	0.39	6.2	405
	TXBHP-30502	4942	3992											1/2	0.44	6.7	420
	TXBHP-30503	5298	4548											1/2	0.51	7.3	440
	TXBHP-30751	5643	4997	3645										3/4	0.58	8.0	460
	TXBHP-30752	5980	5407	4430										3/4	0.65	8.7	480
	TXBHP-30753	6311	5789	5053	3581									3/4	0.74	9.5	500
	TXBHP-30101	6638	6154	5527	4265									1	0.84	10.3	520
	TXBHP-30102	6880	6420	5851	4890	3348								1	0.91	10.9	535
	TXBHP-30103	7201	6767	6258	5545	4180								1	1.02	11.8	555
	TXBHP-30151	7597	7192	6734	6148	5113								1 1/2	1.16	12.7	580
	TXBHP-30152	7989	7608	7817	6684	5996								1 1/2	1.32	13.6	605
	TXBHP-30153	9379	8018	7627	7181	6614	4439							1 1/2	1.49	14.6	630
	TXBHP-30201	8765	8423	8055	7649	7161	5303							2	1.67	15.6	655
	TXBHP-30202	9073	8743	8393	8011	7570	6119							2	1.82	16.3	675
	TXBHP-30203	9456	9141	8808	8451	8055	6960							2	2.04	17.3	700
	TXBHP-30301	9988	9692	9381	9052	8696	7808	6018						3	2.36	18.7	735
	TXBHP-30302	10443	10159	9865	9556	9226	8449	7224						3	2.66	19.9	765
	TXBHP-30303	10970	10701	10423	10134	9828	9143	8224	6421					3	3.05	21.0	800
	TXBHP-305001	11720	11469	11211	10944	10667	10065	9337	8308	6462				5	3.65	23.0	850
TXBHP-305002	12392	12155	11912	11663	11405	10855	10233	9445	8174				5	4.27	26.0	895	
TXBHP-305003	13135	12912	12684	12451	12211	11708	11156	10513	9692	8259	6658		5	5.03	28.0	945	
TXBHP-307501	14172	13964	13754	13541	13322	12868	12385	11856	11239	10477	9274	7691	7 1/2	6.23	32.0	1015	
TXBHP-307502	15130	14936	14740	14541	14338	13921	13483	13015	12504	11910	11193	10150	7 1/2	7.50	36.0	1080	

Performance shown is for Installation Type A: Free Inlet, Free Outlet.

Power rating [BHP] does not include drive losses. Performance ratings include the effects of the bird screen in the airstream.

The sound ratings shown are loudness values in fan sonas at 5 ft. [1.5m] in a hemispherical free field calculated per AMCA Standard 301. Values shown for Installation Type A: Free Inlet fan sone levels. The sound ratings shown for Size 24 HP are 1/2" SP, 1/8" SP for Size 30, and 1/4" SP for Size 30 HP.

Fan		CFM											Motor	Max.	Sones	Fan	
Size	Model	0"SP	1/8"SP	1/4"SP	3/8"SP	1/2"SP	5/8"SP	3/4"SP	1"SP	1 1/4"SP	1 1/2"SP	1 3/4"SP	2"SP	HP	BHP	at 0" SP	RPM
36	TXB-36502	8953	8009	6496	3165									1/2	0.50	6.8	310
	TXB-36751	9386	8503	7139	5105									3/4	0.57	7.3	325
	TXB-36752	9819	8988	7771	5791									3/4	0.66	7.9	340
	TXB-36753	10252	9468	8369	6717									3/4	0.75	8.5	355
	TXB-36101	10685	9942	8940	7521	5459								1	0.85	9.1	370
	TXB-36102	10974	10255	9308	7971	6124								1	0.92	9.5	380
	TXB-36103	11407	10722	9844	8611	6793								1	1.03	10.2	395
	TXB-36151	11985	11339	10537	9459	8086	6251							1 1/2	1.20	11.0	415
	TXB-36152	12418	11799	11045	10063	8812	7081							1 1/2	1.33	11.8	430
	TXB-36153	12996	12410	11710	10832	9685	8075	6094						1 1/2	1.53	12.7	450
	TXB-36201	13285	12713	12037	11203	10113	8792	7239						2	1.63	13.2	460
	TXB-36202	13573	13016	12362	11566	10540	9344	7711						2	1.74	13.7	470
	TXB-36203	13862	13318	12685	11923	10955	9817	8152						2	1.86	14.2	480
	TXB-36204	14295	13770	13165	12449	11560	10483	8988						2	2.04	15.0	495
	TXB-36301	14873	14371	13799	13135	12334	11337	10243						3	2.29	15.9	515
	TXB-36302	15306	14819	14271	13640	12894	11973	10944	8299					3	2.50	16.6	530
	TXB-36303	15884	15416	14895	14304	13617	12788	11814	8622					3	2.79	17.7	550
	TXB-36304	16317	15863	15361	14795	14146	13377	12455	9936					3	3.03	18.5	565
	TXB-365001	16894	16458	15978	15443	14837	14135	13299	11336	8629				5	3.36	19.5	585
	TXB-365002	17472	17052	16592	16085	15516	14868	14109	12318	9875				5	3.72	21.0	605
	TXB-365003	18194	17792	17356	16877	16349	15756	15078	13425	11005				5	4.19	22.0	630
	TXB-365004	18772	18382	17963	17507	17006	16450	15824	14278	12396	10209			5	4.60	23.0	650
	TXB-365005	19349	18972	18568	18131	17654	17131	16548	15128	13471	11141			5	5.05	24.0	670
TXB-367501	20793	20443	20074	19677	19252	18793	18292	17125	15671	14067	11871		7 1/2	6.26	27.0	720	
TXB-367502	22093	21765	21420	21055	20666	20252	19805	18797	17569	16160	14373	12478	7 1/2	7.52	30.0	765	
42	TXB-42052	11852	10011	6471										1/2	0.49	8.2	230
	TXB-42751	12625	10926	7540										3/4	0.59	9.0	245
	TXB-42752	13656	12109	9589										3/4	0.76	10.0	265
	TXB-42101	14429	12977	11065	7791									1	0.91	10.8	280
	TXB-42102	14944	13549	11868	8543									1	1.01	11.4	290
	TXB-42151	15459	14116	12546	9230									1 1/2	1.11	11.9	300
	TXB-42152	16232	14959	13514	10696	8017								1 1/2	1.28	12.6	315
	TXB-42153	17005	15795	14449	12322	9513								1 1/2	1.49	13.4	330
	TXB-42201	17521	16349	15060	13278	10223	6983							2	1.63	14.0	340
	TXB-42202	18294	17174	15960	14521	11441	9452							2	1.86	14.9	355
	TXB-42203	18809	17772	16553	15207	12488	10337	6123						2	2.01	15.4	365
	TXB-42301	19582	18540	17430	16182	14122	11420	8695						3	2.27	16.3	380
	TXB-42302	20355	19354	18296	17129	15546	12609	10936						3	2.56	17.2	395
	TXB-42303	21128	20165	19154	18055	16774	14170	12073						3	2.86	18.0	410
	TXB-425001	21643	20705	19722	18661	17462	15269	12766	6656					5	3.07	18.6	420
	TXB-425002	22159	21243	20286	19262	18119	16303	13562	8822					5	3.29	19.3	430
	TXB-425003	22931	22048	21129	20153	19082	17681	15074	11238					5	3.67	20.0	445
	TXB-425004	23447	22583	21687	20740	19710	18484	16173	12535					5	3.91	21.0	455
	TXB-425005	24220	23384	22521	21614	20638	19551	17756	13694					5	4.30	22.0	470
	TXB-425006	24735	23917	23074	22181	21247	20208	18703	14400	9738				5	4.60	22.0	480
	TXB-425007	25508	24716	23901	23052	22152	21173	19975	15519	12017				5	5.04	23.0	495
	TXB-427501	26539	25778	24997	24188	23339	22429	21427	17525	14525				7 1/2	5.65	25.0	515
	TXB-427502	27312	26573	25817	25035	24218	23351	22410	19179	15634	11323			7 1/2	6.13	26.0	530
TXB-427503	28342	27631	26904	26152	25378	24561	23684	21215	17031	14648			7 1/2	6.91	27.0	530	
TXB-427504	29115	28423	27717	26992	26241	25455	24621	22538	18467	15978	11004		7 1/2	7.50	28.0	565	
48	TXB-48502	12402	9664											1/2	0.44	3.9	180
	TXB-48503	13091	10066											1/2	0.52	4.3	190
	TXB-48751	13091	10666											3/4	0.52	5.0	205
	TXB-48752	14813	12737	8924										3/4	0.75	5.4	215
	TXB-48101	15847	13896	10899										1	0.91	6.1	230
	TXB-48102	16536	14656	12014										1	1.04	6.0	240
	TXB-48151	17225	15408	13163										1 1/2	1.19	7.0	250
	TXB-48152	17914	16154	14236	10299									1 1/2	1.34	7.4	260
	TXB-48153	18603	16895	15206	11919									1 1/2	1.50	7.9	270
	TXB-48201	19636	17999	16495	13726	9349								2	1.75	8.5	285
	TXB-48202	20670	19097	17694	15399	11849								2	2.04	9.2	300
	TXB-48301	21359	19825	18476	16546	13528	8885							3	2.26	9.8	310
	TXB-48302	22048	20551	19249	17592	14793	10661							3	2.49	10.3	320
	TXB-48303	22737	21275	20013	18560	15952	12193							3	2.73	10.8	330
	TXB-48304	23426	21997	20771	19458	17054	14121	9830						3	2.98	11.5	340
	TXB-485001	24459	23071	21898	20682	18779	16204	12357						5	3.40	12.4	355
	TXB-485002	25837	24513	23387	22266	20855	18507	15915						5	4.01	13.8	375
	TXB-485003	26871	25587	24495	23428	22250	20201	17886	10701					5	4.50	14.8	390
	TXB-485004	27904	26658	25598	24574	23485	21877	19631	13520					5	5.05	15.8	405
	TXB-487501	29282	28083	27061	26086	25081	23863	21866	16901	8340				7 1/2	5.84	17.3	425
	TXB-487502	30316	29150	28153	27209	26253	25207	23573	19343	12941				7 1/2	6.48	18.5	440
	TXB-487503	31694	30569	29604	28697	27792	26837	25611	21797	16210				7 1/2	7.40	19.9	460
	TXB-481001	33072	31984	31049	30174	29311	28422	27448	24028	19817	13705			10	8.39	21.0	480
TXB-481002	34105	33045	32130	31276	30441	29589	28681	25750	22031	16402			10	9.19	22.0	495	
TXB-481003	35139	34105	33209	32375	31563	30747	29887	27429	23870	18697	12370		10	10.1	23.0	510	

Performance shown is for Installation Type A: Free Inlet, Free Outlet. Performance ratings include the effects of the birdscreen in the airstream. Power rating [BHP] does not include drive losses.

The sound ratings shown are loudness values in fan sones at 5 ft. [1.5m] in a hemispherical free field calculated per AMCA Standard 301. Values shown are for Installation Type A: Free Inlet fan sone levels. The sound ratings shown are at 0" static pressure.