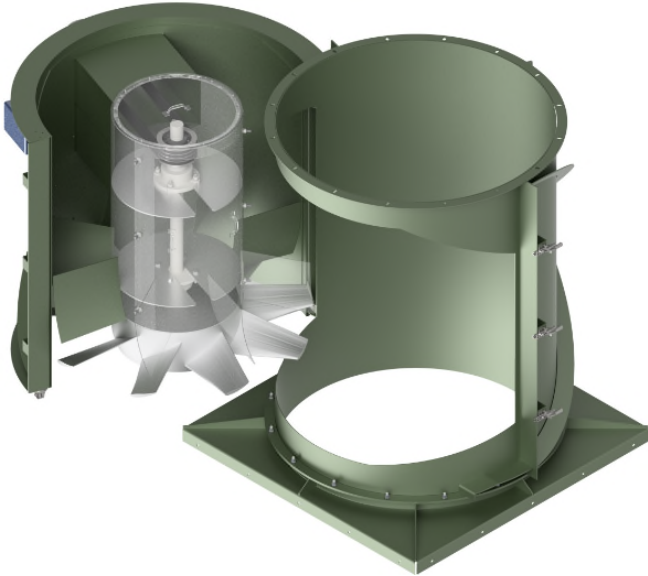
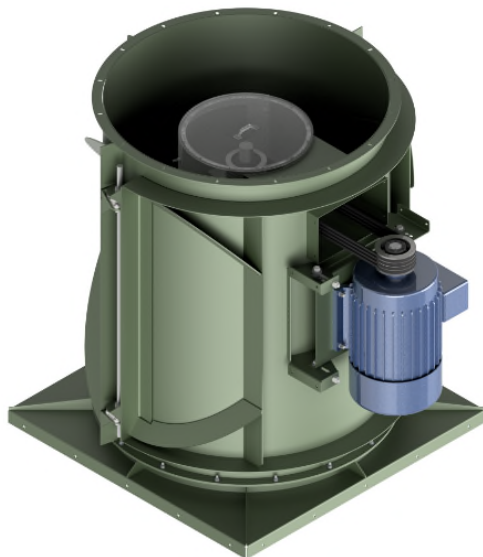


VANEAXIAL FIXED PITCH (VXFP) SWINGOUT DESIGN FAN



Arrangement 9-R VXFP
Swingout fan with reinforced
curb cap (standard), flanged
inlet and outlet. Sizes 24-54.



THE NEW YORK BLOWER COMPANY
7660 Quincy Street
Willowbrook, IL 60527-5530

Visit us on the Web: <http://www.nyb.com>
Phone: (800) 208-7918 Email: nyb@nyb.com

SWINGOUT FANS

The Vaneaxial Fixed Pitch Swingout Fans are designed to give uninterrupted access to the internal components of the fan. The whole motor and inner tube assembly swing out with the door, allowing easy access to the shaft and bearings for routine maintenance without disturbing ductwork.

DESIGN FEATURES

- Nine sizes...24" to 54" wheel diameters
- Available in arrangements 9-V and 9-R
- Sturdy shaft-and-bearing style hinge design
- Easy removal of wheel, shaft and bearings without affecting ductwork

CONSTRUCTION FEATURES

Heavy-gauge welded components – provide structural strength, durability, and minimal leakage.

Cast Aluminum Wheel - airfoil shaped fixed pitch cast aluminum blades provide highly efficient, quiet operation for clean-air applications. Pitch is adjustable at time of order.

Balance - all wheels are precision-balanced prior to final assembly. Fans with motors and drives mounted by **nyb** are checked at the specified running speed.

Lifting eyes - located for balanced handling.

Finish - industrial grade paint system consisting of **nyb** green enamel.

ACCESSORIES AND MODIFICATIONS

- 1. SAFETY EQUIPMENT / WEATHER COVER**
Belt guards, inlet and outlet guards and weather covers are available. Selection of the appropriate safety accessories is the responsibility of the system designer familiar with the specific installation.
- 2. COMPANION FLANGES**
Fits flush with fan inlet and outlet flanges. Provided with matching hole pattern.
- 3. STACK HOOD**
Stack hood with built-in back-draft dampers for outdoor exhaust applications.
- 4. CURB CAP**
Gusseted cover with bolt holes on perimeter. Includes flange for fan mounting.
- 5. MOTOR AND DRIVES**
A wide-array of motor and drive components are available factory-mounted by **nyb**.
- 6. INLET DAMPER**
Bolt-on damper assembly provides volume control...for modulating systems...electric and pneumatic damper operators are also available.
- 7. SHAFT SEAL**
Ceramic-felt seal elements encased between metal backing plate and retaining disc...elements can be easily split for field installation and maintenance...lubricated lip seals are also available.
- 8. SPARK-RESISTANT CONSTRUCTION**
AMCA B [wheel type] SRC and AMCA C [buffer type] SRC construction available on Sizes 24-54. SRC construction not available with inlet damper or inlet guard.

MATERIAL SPECIFICATIONS

Dimensions in inches. Tolerance: +/- 1/8"

MOTOR SIZE CAPABILITY

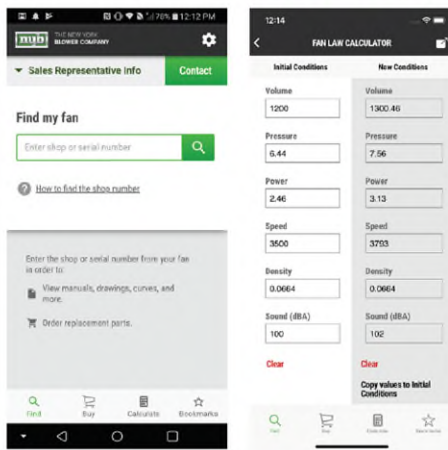
Size	Maximum C-[N-W]	Maximum Frame Size
24-12-09	22 5/8	324T
24-16-12	24 1/8	364T
27-12-09	22 5/8	326T
27-16-12	24 1/8	365T
27-20-16	25	365T
29-12-09	24 5/8	364T
29-16-12	27 5/8	365T
29-20-16	27 5/8	365T
32-16-09	25 1/4	365T
32-20-12	27 5/8	365T
36-16-09	25 1/4	365T
36-20-12	31 5/8	365T
36-26-15	32 7/8	365T
38-16-09	27 5/8	365T
38-20-12	36 1/8	365T
38-26-15	36 1/8	365T
42-20-09	34 7/8	365T
42-26-12	38 7/8	365T
48-20-09	34 3/8	365T
48-26-12	38 3/8	365T
54-26-09	41 7/8	365T

FAN FLANGE DIMENSIONS

Size	Flange Gauge	Fan ID	Bolting Circle	Flange OD	Flange Slots*	
					No.	Size
24-12-09	7	24 3/8	26 1/8	27 3/4	8	7/16 X 13/16
24-16-12	7	24 3/8	26 1/8	27 3/4	8	7/16 X 13/16
27-12-09	7	27 3/8	29 1/8	30 3/4	8	7/16 X 13/16
27-16-12	7	27 3/8	29 1/8	30 3/4	8	7/16 X 13/16
27-20-16	7	27 3/8	29 1/8	30 3/4	8	7/16 X 13/16
29-12-09	7	29 3/16	31	32 5/8	16	7/16 X 13/16
29-16-12	7	29 3/16	31	32 5/8	16	7/16 X 13/16
29-20-16	7	29 3/16	31	32 5/8	16	7/16 X 13/16
32-16-09	7	32 1/2	34 1/4	35 7/8	16	7/16 X 13/16
32-20-12	7	32 1/2	34 1/4	35 7/8	16	7/16 X 13/16
36-16-09	7	36 1/2	38 5/16	41	16	7/16 X 13/16
36-20-12	7	36 1/2	38 5/16	41	16	7/16 X 13/16
36-26-15	7	36 1/2	38 5/16	41	16	7/16 X 13/16
38-16-09	1/4"	38	40 1/4	42 1/2	16	9/16 X 1
38-20-12	1/4"	38	40 1/4	42 1/2	16	9/16 X 1
38-26-15	1/4"	38	40 1/4	42 1/2	16	9/16 X 1
42-20-09	1/4"	42 3/4	45	47 1/4	16	9/16 X 1
42-26-12	1/4"	42 3/4	45	47 1/4	16	9/16 X 1
48-20-09	1/4"	48 3/4	51	53 3/8	16	9/16 X 1
48-26-12	1/4"	48 3/4	51	53 3/8	16	9/16 X 1
54-26-09	1/4"	55	57 7/16	59 5/8	16	9/16 X 1

* Slots spaced equally, straddling centerline

NEW YORK BLOWER'S MOBILE APPLICATION



Mobile app is now available for iOS and Android phones. Simply entering the fan's file (shop) number into the app allows users the following:

- Ability to view job specific fan drawings, performance curves and installation/maintenance (IM) Manuals.
- Ability to order replacement wheels, shafts, inlet assemblies, bearings, motors and drive components (belts, sheaves, couplings).
- View current fan performance and calculate system changes.

Other key features include:

- Ability to view online fan catalog and technical data.
- Identify and contact local nyb representative.



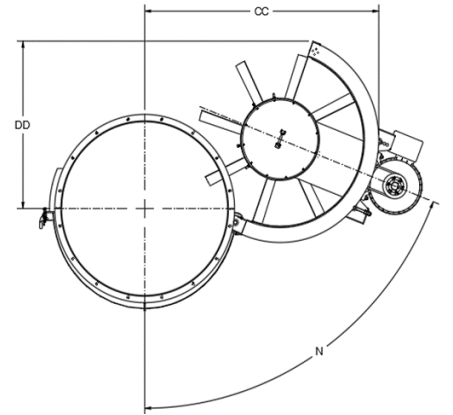
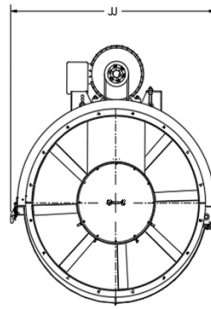
DIMENSIONS

Dimensions should not be used for construction unless certified. Note motor size limits on page 2.

Tolerance: +/- 1/8".

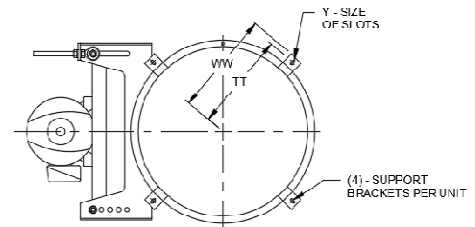
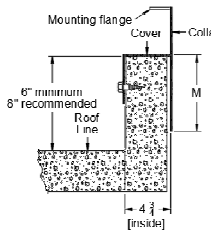
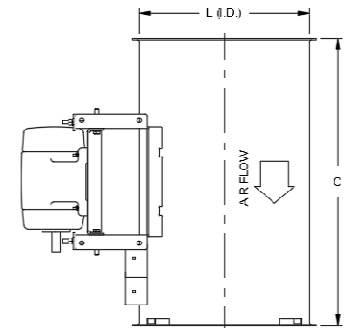
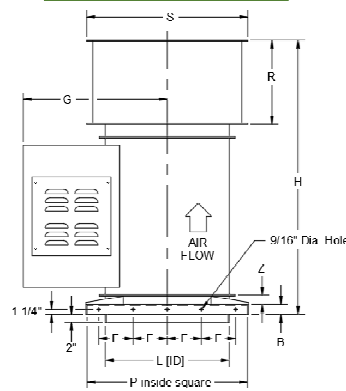
Size	CC	DD	C	G max*	H
24-12-09	40 4/5	13	45 1/2	37 1/2	81 1/8
24-16-12	40 4/5	13	47	41 1/2	82 5/8
27-12-09	44 5/8	16 2/3	44 1/2	39	82 1/8
27-16-12	44 5/8	16 2/3	48 1/4	43	85 7/8
*27-20-16	44 5/8	16 2/3	48 5/8	43	86 1/4
29-12-09	47	18 4/5	44 1/2	43	83 1/8
29-16-12	47	18 4/5	47 1/4	43 3/4	85 7/8
*29-20-16	47	18 4/5	48 7/8	46 1/2	87 1/2
32-16-09	51	22 5/8	48 7/8	45 1/2	89
32-20-12	51	22 5/8	50 1/2	48 1/4	90 5/8
36-16-09	55 7/8	27	48 7/8	47 1/2	94
36-20-12	55 7/8	27	54 1/2	50 1/4	99 5/8
*36-26-15	55 7/8	27	56 1/2	50 1/4	101 5/8
38-16-09	57 7/8	28 3/4	51 7/8	51	98 1/8
38-20-12	57 7/8	28 3/4	58 1/4	54	104 1/2
*38-26-15	57 7/8	28 3/4	60	54	106 1/4
42-20-09	63 4/7	33 3/4	62 1/2	53 1/2	110 3/4
42-26-12	63 4/7	33 3/4	67 1/2	56 1/2	115 3/4
48-20-09	68 4/5	45 1/2	62	59 1/2	116 1/4
48-26-12	68 4/5	45 1/2	67	59 1/2	121 1/4
54-26-09	75 4/5	52	70 7/8	62 1/2	128 1/8

*G Max: Weather cover and belt guard will not exceed maximum Dimension. DD, CC, and N dimensions are with door fully open, not necessarily maximum. Sizes with * can be provided on application.



ARRANGEMENT 9-R

ARRANGEMENT 9-V



Size	B	F	L	M	P	R	S	TT	WW	Y	Z
24	2 1/2	7	24 3/8	4 1/2	34 1/8	23	31 1/8	15 1/2	16 3/4	9/16 x 1	2
27	2 1/2	8	27 3/8	4 1/2	37 1/8	25	34 1/8	17	18 1/4	9/16 x 1	2
29	2 1/2	8 1/2	29 3/16	4 1/2	39 1/2	26	36 1/8	18 3/4	20 1/4	3/4 x 1 1/2	2
32	3	9	32 1/2	5	41 5/8	26	39 1/8	20 3/8	21 7/8	3/4 x 1 1/2	3
36	3	10 1/2	36 1/2	5	46 1/4	31	43 1/8	22 3/8	23 7/8	3/4 x 1 1/2	3
38	3	11 1/4	38	5	49 1/2	32	45 1/8	23 1/8	24 5/8	3/4 x 1 1/2	3
42	3	12	42 3/4	5	52 5/8	34	47 1/8	25 1/2	27	3/4 x 1 1/2	3
48	3	13	48 3/4	5	58 5/8	40	56 1/8	28 1/2	30	3/4 x 1 1/2	3
54	3	14	55	5	64 7/8	43	62 1/8	32 1/4	33 3/4	1 x 2	3

NOTES

