

MATERIAL SPECIFICATIONS

Dimensions in inches. Weights in pounds. WR² in lb.-ft.².

Size	Shaft diameter			Bearings			Wheel weight			Wheel WR ²		
	Class I	Class II	Class III	Class I	Class II	Class III	Class I	Class II	Class III	Class I	Class II	Class III
12	1	1 ³ / ₁₆	–	A	F	–	8	8	–	2	2	–
15	1 ³ / ₁₆	1 ³ / ₁₆	–	A	F	–	13	13	–	3	3	–
18	1 ³ / ₁₆	1 ⁷ / ₁₆	1 ¹¹ / ₁₆	A	F	F	32	32	47	11	11	14
22	1 ⁷ / ₁₆	1 ¹¹ / ₁₆	1 ¹¹ / ₁₆	C	F	F	46	46	60	24	24	28
24	1 ¹¹ / ₁₆	1 ¹¹ / ₁₆	1 ¹⁵ / ₁₆	C	F	F	61	61	90	38	38	49
27	1 ¹¹ / ₁₆	1 ¹¹ / ₁₆	1 ¹⁵ / ₁₆	E	F	F	72	72	102	55	55	69
30	1 ¹¹ / ₁₆	1 ¹⁵ / ₁₆	2 ³ / ₁₆	E	F	F	90	90	134	87	87	119
33	1 ¹⁵ / ₁₆	2 ³ / ₁₆	2 ³ / ₁₆	E	F	F	118	118	155	130	130	170
36	2 ³ / ₁₆	2 ³ / ₁₆	2 ⁷ / ₁₆	D	F	F	158	158	234	219	219	273
40	2 ³ / ₁₆	2 ³ / ₁₆	2 ⁷ / ₁₆	D	F	F	188	188	287	321	321	430
44	2 ³ / ₁₆	2 ⁷ / ₁₆	2 ¹¹ / ₁₆	D	F	F	248	259	334	523	523	628
49	2 ⁷ / ₁₆	2 ¹¹ / ₁₆	2 ¹⁵ / ₁₆	D	F	F	344	349	477	843	867	949
54	2 ⁷ / ₁₆	2 ¹¹ / ₁₆	3 ⁷ / ₁₆	D	F	F	411	418	653	1252	1291	1799
60	2 ⁷ / ₁₆	2 ¹⁵ / ₁₆	3 ⁷ / ₁₆	D	F	F	523	539	804	1926	1986	2850
66	2 ¹¹ / ₁₆	3 ⁷ / ₁₆	3 ⁷ / ₁₆	D	F	F	814	851	984	3715	3807	4271
73	2 ¹⁵ / ₁₆	3 ⁷ / ₁₆	3 ¹⁵ / ₁₆	D	F	F	1036	1069	1178	5872	5997	6310

Bearing types: A–Link-Belt P3-U200. C–Sealmaster SPM. D–Sealmaster MPD. E–Link-Belt P-U300. F–Link-Belt P-B22400. nyb reserves the right to substitute bearings of equal ratings.

APPROXIMATE BARE-FAN WEIGHT

Size	Class I			Class II			Class III			Arr. 4-M	Arr. 4-S, 4-V, 4-D	Arr. 4 Roof-mounted
	Arr. 9-M	Arr. 9-S, 9-V, 9-D	Arr. 9 Roof-mounted	Arr. 9-M	Arr. 9-S, 9-V, 9-D	Arr. 9 Roof-mounted	Arr. 9-M	Arr. 9-S, 9-V, 9-D	Arr. 9 Roof-mounted			
12	134	124	148	140	130	154	–	–	–	112	102	126
15	183	170	208	187	174	212	–	–	–	148	135	173
18	259	248	302	271	260	314	280	269	323	227	216	270
22	361	349	425	385	373	449	390	378	454	331	319	395
24	484	464	564	493	473	573	503	483	583	453	433	533
27	604	575	698	611	582	705	623	594	717	570	541	664
30	757	711	887	769	723	899	804	758	934	750	704	880
33	936	883	1102	953	900	1119	978	925	1144	914	861	1018
36	1158	1091	1367	1173	1106	1382	1209	1142	1418	1082	1015	1291
40	1470	1390	1721	1461	1381	1712	1542	1462	1793	–	–	–
44	1915	1818	2366	1931	1834	2382	2006	1909	2457	–	–	–
49	2372	2257	2813	2395	2280	2836	2412	2297	2853	–	–	–
54	3077	2928	3667	3104	2955	3694	3311	3162	3901	–	–	–
60	3722	3555	4471	3775	3608	4524	4065	3898	4814	–	–	–
66	4651	4436	5543	4762	4547	5654	4814	4599	5706	–	–	–
73	5746	5466	6819	5836	5556	6909	5953	5673	7026	–	–	–

MOTOR SIZE CAPABILITY

Size	Arrangement 9			Arrangement 4	
	Max. C-NW	Frame size		Frame size	
		Min.	Max.	Min.	Max.
12	16.83	56	213T†	56	182T
15	16.83	56	215T	143T	184T
18	23.69	56	284T	143T	215T
22	25.95	56	324T	143T	256T
24	25.95	143T	326T	143T	286T
27	27.93	145T	364T	145T	326T
30	27.93	184T	365T	184T	365T
33	34.15	213T	405T	213T	405T
36	34.15	215T	405T	215T	405T
40	34.15	254T	405T	–	–
44	34.15	256T	405T	–	–
49	34.15	286T	405T	–	–
54	34.15	324T	405T	–	–
60	34.15	326T	405T	–	–
66	35.38	404T	445T	–	–
73	35.38	444T	445T	–	–

† 184T max. explosion proof frame with weather cover.

FLANGE OPTION

Size	ID	BC	OD	Holes*	
				No.	Dia.
12	17	18 ³ / ₄	20	8	9 ¹ / ₁₆
15	20 ³ / ₄	22 ¹ / ₂	23 ³ / ₄	16	9 ¹ / ₁₆
18	25 ¹ / ₄	27	28 ¹ / ₄	16	9 ¹ / ₁₆
22	30 ³ / ₄	32 ¹ / ₂	33 ³ / ₄	16	9 ¹ / ₁₆
24	33 ⁷ / ₈	36 ¹ / ₈	37 ⁷ / ₈	16	9 ¹ / ₁₆
27	37 ¹ / ₄	39 ¹ / ₂	41 ¹ / ₄	16	9 ¹ / ₁₆
30	41 ¹ / ₂	43 ³ / ₄	45 ¹ / ₂	16	9 ¹ / ₁₆
33	45 ⁵ / ₈	47 ⁷ / ₈	49 ⁵ / ₈	24	9 ¹ / ₁₆
36	50 ³ / ₈	52 ⁵ / ₈	54 ³ / ₈	24	9 ¹ / ₁₆
40	55 ¹ / ₂	57 ³ / ₄	59 ¹ / ₂	24	9 ¹ / ₁₆
44	61 ³ / ₈	63 ⁵ / ₈	65 ³ / ₈	24	9 ¹ / ₁₆
49	67 ¹ / ₂	69 ³ / ₄	71 ¹ / ₂	32	9 ¹ / ₁₆
54	74 ³ / ₄	77	78 ³ / ₄	32	9 ¹ / ₁₆
60	82 ⁵ / ₈	84 ⁷ / ₈	86 ⁵ / ₈	32	9 ¹ / ₁₆
66	90 ³ / ₄	93	94 ³ / ₄	32	9 ¹ / ₁₆
73	100 ³ / ₈	102 ⁵ / ₈	104 ³ / ₈	32	9 ¹ / ₁₆

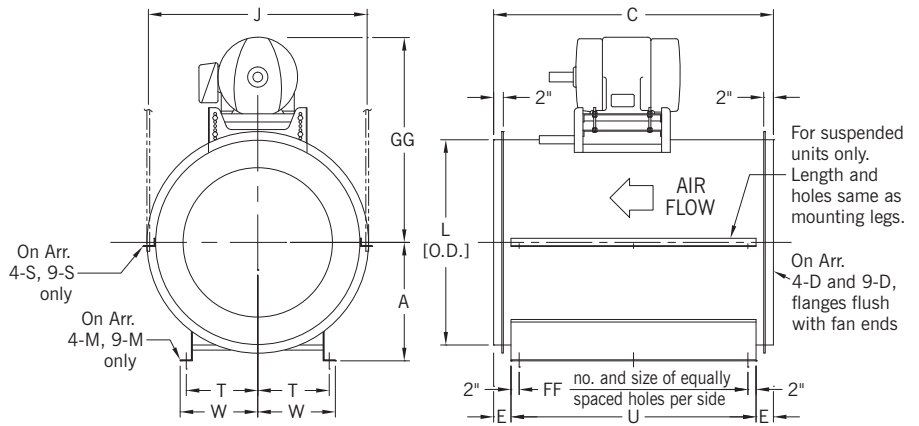
*Holes spaced equally straddling centerline. All flanges are 1/4" thick.

Tolerance: ± 1/8"

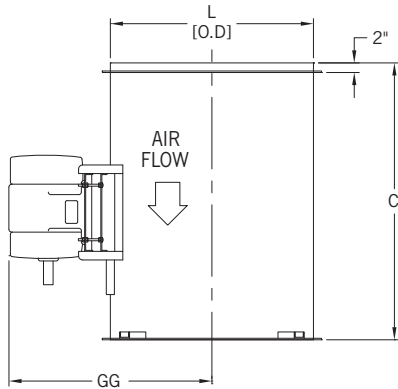
DIMENSIONS

Dimensions should not be used for construction unless certified. See page 6 for available mounting positions. Note motor size capability on page 14. Tolerance: $\pm 1/8''$.

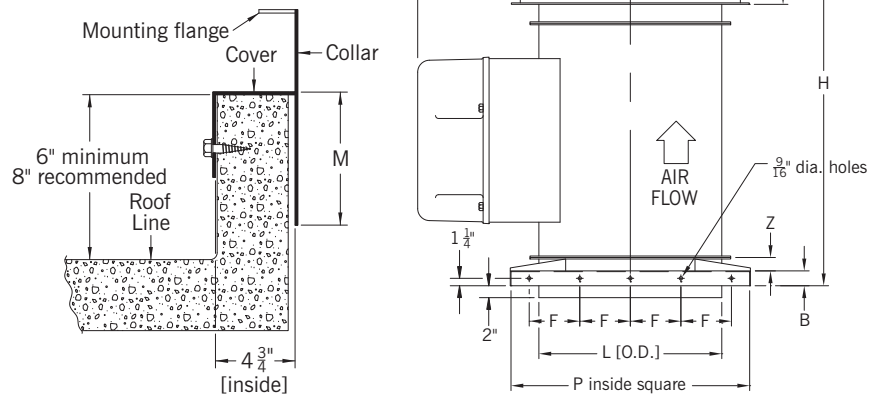
ARRANGEMENTS 4-M AND 9-M, 4-S AND 9-S, 4-D AND 9-D



ARRANGEMENTS 4-V AND 9-V



ARRANGEMENTS 4-R AND 9-R [roof-mounted] with exhaust-type stack hood.



DIMENSIONS [INCHES]

Size	A	B	C		E	F	FF	G	GG [max.]	H		J	L	M	P	R	S	T	TT	U		W	WW	Y	Z
			Arr. 4	Arr. 9						Arr. 4	Arr. 9														
12	11	2 1/2	27	30 3/4	3 1/2	5	2-9/16	28	25 3/8	48 3/4	49 7/8	18 5/8	16 7/8	4 1/2	26 1/2	14	26 1/4	7 1/8	11 1/2	20	23 3/4	8	12 3/4	1 1/16	2
15	13	2 1/2	28 1/8	33 3/4	3 3/4	6	2-9/16	32 3/4	31 1/2	51 7/8	55 3/8	22 3/8	20 5/8	4 1/2	30 1/4	16	30 1/4	8 3/8	13 1/2	20 5/8	26 1/4	9 1/4	14 5/8	1 1/16	2
18	15	2 1/2	33 1/8	36 3/4	3 3/4	6 1/2	2-9/16	35	33 5/8	58 7/8	60 7/8	27 3/8	25 1/8	4 1/2	34 3/4	18	34 1/2	9 3/8	15 5/8	25 5/8	29 1/4	10 1/4	16 7/8	1 1/16	2
22	17	2 1/2	39 3/4	44 1/4	3 3/4	8 1/2	2-9/16	40 1/4	37 5/8	68 1/2	70 1/4	32 7/8	30 5/8	4 1/2	40 1/4	21	40	10 7/8	18 3/8	32 1/4	36 3/4	11 3/4	19 5/8	1 1/16	2
24	19	3	44 3/8	47	4 1/4	9	2-9/16	41 1/2	40 1/4	85 5/8	86 1/8	36	33 7/8	5	43 3/8	23	43 1/4	12 1/4	20 7/8	35 7/8	38 1/2	13 1/2	22 1/4	7/8	3
27	22	3	49 1/2	52 1/2	4 1/4	10	2-9/16	49 1/2	43	88 3/4	89 1/2	39 3/8	37 1/4	5	46 3/4	25	47 1/4	13 5/8	22 1/2	41	44	14 7/8	24	7/8	3
30	24	3	55 1/8	56 3/4	4 1/4	11	3-3/4	52 1/4	45	100 3/8	99 3/4	44 7/8	41 3/8	5	51	26	50 1/4	14 7/8	24 5/8	46 5/8	48 1/4	16 1/8	26 1/8	7/8	3
33	26	3	61 1/4	62 1/4	4 1/4	12	3-3/4	57 7/8	49 1/8	110 1/2	108 7/8	49	45 1/2	5	55 1/8	29	52 3/8	16	26 5/8	52 3/4	53 3/4	17 1/4	28 1/8	7/8	3
36	29	3	63 1/2	67 1/2	4 1/4	13	3-3/4	60 7/8	51 7/8	108 3/4	110 1/2	53 3/4	50 1/4	5	59 7/8	31	59 1/8	17 1/2	29	55	59	19	30 1/2	7/8	3
40	32	3	75 3/4	4 1/4	14	3-3/4	63 7/8	54 1/8	—	122 3/8	58 7/8	55 3/8	5	65	34	64 5/8	19	31 5/8	—	66 3/4	20 1/8	33 1/8	7/8	3	
44	35	3	80 5/8	5	15 1/2	3-3/4	57 3/8	59 1/8	—	130 7/8	64 3/4	61 1/4	5	70 7/8	36	70 5/8	21	34 1/2	—	70 5/8	22 1/2	36	7/8	3	
49	38	3	87 7/8	6	17	3-3/4	62 1/4	62 1/2	—	142 1/8	70 7/8	67 3/8	5	77	40	76 5/8	23	37 5/8	—	75 7/8	24 1/2	39 1/8	7/8	3	
54	41	4	97	5 1/4	19	4-1	66 5/8	65 3/4	—	155 1/4	79 1/8	74 5/8	6	84 1/4	43	84	25	41 7/8	—	86 1/2	27	43 3/8	1 1/2	3	
60	45	4	107	5 3/4	20 1/2	4-1	71 1/8	69 3/4	—	169 1/4	87	82 1/2	6	92 1/8	47	91 7/8	26 1/2	45 3/4	—	95 1/2	28 1/2	47 1/4	1 1/2	3	
66	49	4	116 3/4	5 3/4	22 1/2	4-1	79 3/4	73 3/4	—	183	95 1/8	90 5/8	6	100 1/4	51	100	29	49 3/4	—	105 1/4	31 1/2	51 3/8	1 1/2	3	
73	54	4	129 3/8	6 5/8	25	4-1	85	79	—	200 5/8	104 3/4	100 1/4	6	109 5/8	56	109 5/8	33 1/2	54 5/8	—	116 1/8	36	56 1/8	1 1/2	3	

The New York Blower Company has a policy of continual product improvement and reserves the right to change designs and specifications without notice.