

MATERIAL SPECIFICATIONS

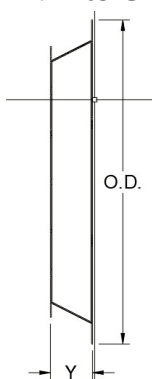
Dimensions in inches. Weights in pounds. WR² in lb.-ft.².

Size	Wheel Type	Optional Wheel* Material	Wheel Speed (RPM)	No. of Blades	Wheel Weight	Wheel WR ²	Bushing Type	Shaft Diameter	Bearings	App. bare fan weight		Housing gauge
										9M	9-S, 9-V, 9-D	
12	MPC-ALM	POLYPROPYLENE	4000	3	2.0	0.1	—	1	A	89	68	10
12	OPC-ALM	—	3500	6	5.3	0.4	H	1	A	93	72	10
12	STF-STL	304 / 316 SST	3900	4	3.0	0.7	—	1	A	90	69	10
15	MPC-ALM	POLYPROPYLENE	4000	3	2.0	0.1	—	1	A	103	79	10
15	OPC-ALM	—	3500	6	5.8	0.6	H	1	A	107	83	10
15	STF-STL	304 / 316 SST	3300	4	4.9	1.8	—	1	A	106	82	10
18	MPC-ALM	POLYPROPYLENE	4000	6	4.0	0.4	—	1	A	122	95	10
18	OPC-ALM	—	3500	6	6.3	1.0	H	1	A	124	97	10
18	STF-STL	304 / 316 SST	3200	4	5.8	3.2	—	1	A	124	97	10
24	MPC-ALM	POLYPROPYLENE	3522	3	6.3	0.9	P1	1 ³ / ₁₆	A	166	132	10
24	OPC-ALM	—	2100	4	9.8	3.2	H	1 ³ / ₁₆	A	169	135	10
24	STF-STL	304 / 316 SST	2650	4	12.4	11.1	H	1 ³ / ₁₆	A	172	138	10
27	MPC-ALM	POLYPROPYLENE	2669	3	7.7	1.7	P1	1 ⁷ / ₁₆	A	188	153	10
27	OPC-ALM	—	2000	4	10.3	3.4	H	1 ⁷ / ₁₆	A	191	156	10
27	STF-STL	304 / 316 SST	2650	4	15.1	17.0	P1	1 ⁷ / ₁₆	A	195	160	10
30	MPC-ALM	POLYPROPYLENE	2978	6	10.3	3.0	P1	1 ⁷ / ₁₆	A	212	171	10
30	OPC-ALM	—	1800	4	10.8	3.7	H	1 ⁷ / ₁₆	A	212	171	10
30	STF-STL	304 / 316 SST	2140	4	18.0	25.4	P1	1 ⁷ / ₁₆	A	219	178	10
34	MPC-ALM	POLYPROPYLENE	2637	6	11.3	4.8	P1	1 ⁷ / ₁₆	A	281	230	10
34	OPC-ALM	—	1800	6	19.3	8.7	P1	1 ⁷ / ₁₆	A	289	238	10
34	STF-STL	304 / 316 SST	1500	4	21.8	40.2	P1	1 ⁷ / ₁₆	A	291	240	10
36	MPC-ALM	POLYPROPYLENE	2103	6	13.3	5.4	P1	1 ⁷ / ₁₆	A	323	266	10
36	OPC-ALM	—	1800	6	21.3	10.3	P1	1 ⁷ / ₁₆	A	331	274	10
36	STF-STL	304 / 316 SST	1500	4	23.8	49.6	P1	1 ⁷ / ₁₆	A	333	276	10
36	STO-STL	304 / 316 SST	1400	8	39.8	84.8	P1	1 ⁷ / ₁₆	A	349	292	10
42	MPC-ALM	POLYPROPYLENE	2615	5	30.0	17.0	SK	1 ¹¹ / ₁₆	A	456	391	10
42	OPC-ALM	—	1800	6	25.3	22.8	P1	1 ¹¹ / ₁₆	A	451	386	10
42	STF-STL	304 / 316 SST	1380	4	36.5	99.3	Q1	1 ¹¹ / ₁₆	A	463	398	10
42	STO-STL	304 / 316 SST	1300	8	58.0	163.9	Q1	1 ¹¹ / ₁₆	A	484	419	10
48	MPC-ALM	POLYPROPYLENE	1909	3	31.0	21.9	SK	1 ¹⁵ / ₁₆	A	547	467	10
48	OPC-ALM	—	1400	6	43.5	34.6	Q1	1 ¹⁵ / ₁₆	A	559	479	10
48	STF-STL	304 / 316 SST	1190	4	42.0	149.6	Q1	1 ¹⁵ / ₁₆	A	558	478	10
48	STO-STL	304 / 316 SST	1040	8	63.0	231.2	Q1	1 ¹⁵ / ₁₆	A	579	499	10

Bearing type: A– D-Lok (DLAH) Pillow Block Ball Bearings. Wheel weight includes bushing. Bare fan weight includes wheel, housing, shaft, bearings, motor platform and bearing cover. Maximum wheel speeds and bore type may differ with optional wheels.

nyb reserves the right to substitute bearings of equal quality.

*Consult nyb for price and availability.

INLET BELL DIMENSIONS	Size	Y	O.D.
		12	2 1/8
15		2 5/8	20 1/4
18		3 1/8	24 1/4
24		4 1/8	32 3/8
27		4 5/8	36 3/8
30		5 1/4	40 1/2
34		5 7/8	45 7/8
36		6 1/4	48 5/8
42		7 1/4	56 5/8
48		8 1/4	64 3/8

FAN SELECTION AND DRAWINGS

In order to help make fan selection easier, New York Blower has an online tool at www.nyb.com. Fan-to-Size Online allows users to select fans by product category, application or by entering operating conditions. Once the fan is selected, the user has the option to view the curve, print the results or save the selection for future use. In addition, they can create a drawing package for the selected fan using Drawings on Demand. Custom fans and modifications are also available for specialized applications. For help with selection, contact your local sales representative.

DIMENSIONS

Dimensions should not be used for construction unless certified. See page 6 for available mounting positions. Note motor size capability on page 18. Tolerance: $\pm 1/8''$.

MOTOR SIZE CAPABILITY

Size	Arrangement 9	
	Maximum C-[IN-W]	Maximum frame size
12	11 ³ / ₄	145T
15	12 ¹ / ₄	145T
18	13 ³ / ₈	184T
24	16 ³ / ₄	215T
27	16 ³ / ₄	215T
30	16 ³ / ₄	215T
34	17	215T
36	20	215T
42	20	256T
48	20	256T

Arrangement 9 maximums are with or without weather cover.

FAN FLANGE DIMENSIONS

Size	Flange gauge	Fan ID	Bolting circle			Flange OD	Flange Slots*	
			Min.	Center	Max.		No.	Size†
12	1/4"	12	13 ¹ / ₁₆	13 ¹ / ₄	13 ⁷ / ₁₆	14 ¹ / ₄	8	7/16 x 5/8
15	1/4"	15	16 ¹ / ₁₆	16 ¹ / ₄	16 ⁷ / ₁₆	17 ¹ / ₄	8	7/16 x 5/8
18	1/4"	18	19 ¹ / ₁₆	19 ¹ / ₄	19 ⁷ / ₁₆	20 ¹ / ₄	8	7/16 x 5/8
24	10	24	25 ⁹ / ₁₆	25 ³ / ₄	25 ¹⁵ / ₁₆	27 ¹ / ₈	8	7/16 x 5/8
27	10	27	28 ⁹ / ₁₆	28 ³ / ₄	28 ¹⁵ / ₁₆	30 ¹ / ₈	8	7/16 x 5/8
30	10	30	31 ⁹ / ₁₆	31 ³ / ₄	31 ¹⁵ / ₁₆	33 ¹ / ₈	8	7/16 x 5/8
34	10	34	35 ⁹ / ₁₆	35 ³ / ₄	35 ¹⁵ / ₁₆	37 ¹ / ₈	8	7/16 x 5/8
36	10	36	37 ¹¹ / ₁₆	37 ⁷ / ₈	38 ¹ / ₁₆	39 ¹ / ₄	8	7/16 x 5/8
42	1/4"	42	43 ⁷ / ₁₆	43 ⁵ / ₈	43 ¹³ / ₁₆	45	8	7/16 x 5/8
48	1/4"	47 ³ / ₄	49 ⁷ / ₁₆	49 ⁵ / ₈	49 ¹³ / ₁₆	51	8	7/16 x 5/8

*Slots spaced equally, straddling centerline. Tolerance: $\pm 1/8''$

WHEEL DETAILS

Dimensions in inches. Weights in pounds. WR² in lb.-ft.²

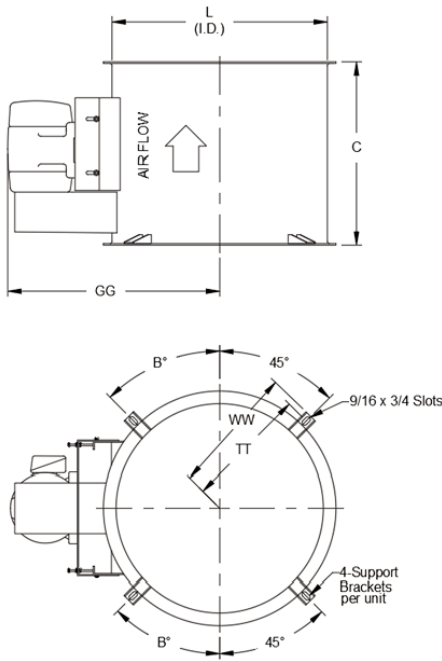
Size	MPC					OPC					STF and STO					
	Number of Blades	Wheel Weight	Wheel WR ²	Bushing Type	Shaft Diameter	Number of Blades	Wheel Weight	Wheel WR ²	Bushing Type	Shaft Diameter	Type	Number of Blades	Wheel Weight	Wheel WR ²	Bushing Type	Shaft Diameter
12	3	2.0	0.1	—	1	6	5.3	0.4	H	1	STF	4	3.0	0.7	—	1
15	3	2.0	0.1	—	1	6	5.8	0.6	H	1	STF	4	4.9	1.8	—	1
18	6	4.0	0.4	—	1	6	6.3	1.0	H	1	STF	4	5.8	3.2	—	1
24	3	6.3	0.9	P1	1 ³ / ₁₆	4	9.8	3.2	H	1 ³ / ₁₆	STF	4	12.4	11.1	H	1 ³ / ₁₆
27	3	7.7	1.7	P1	1 ⁷ / ₁₆	4	10.3	3.4	H	1 ⁷ / ₁₆	STF	4	15.1	17.0	P1	1 ⁷ / ₁₆
30	6	10.3	3.0	P1	1 ⁷ / ₁₆	4	10.8	3.7	H	1 ⁷ / ₁₆	STF	4	18.0	25.4	P1	1 ⁷ / ₁₆
34	6	11.3	4.8	P1	1 ⁷ / ₁₆	6	19.3	8.7	P1	1 ⁷ / ₁₆	STF	4	21.8	40.2	P1	1 ⁷ / ₁₆
36	6	13.3	5.4	P1	1 ⁷ / ₁₆	6	21.3	10.3	P1	1 ⁷ / ₁₆	STF	4	23.8	49.6	P1	1 ⁷ / ₁₆
36	—	—	—	—	—	—	—	—	—	—	STO	8	39.8	84.8	P1	1 ⁷ / ₁₆
42	5	30.0	17.0	SK	1 ¹¹ / ₁₆	6	25.3	22.8	P1	1 ¹¹ / ₁₆	STF	4	36.5	99.3	Q1	1 ¹¹ / ₁₆
42	—	—	—	—	—	—	—	—	—	—	STO	8	58.0	163.9	Q1	1 ¹¹ / ₁₆
48	3	31.0	21.9	SK	1 ¹⁵ / ₁₆	6	43.5	34.6	Q1	1 ¹⁵ / ₁₆	STF	4	42.0	149.6	Q1	1 ¹⁵ / ₁₆
48	—	—	—	—	—	—	—	—	—	—	STO	8	63.0	231.2	Q1	1 ¹⁵ / ₁₆

*Wheel weight includes bushing.

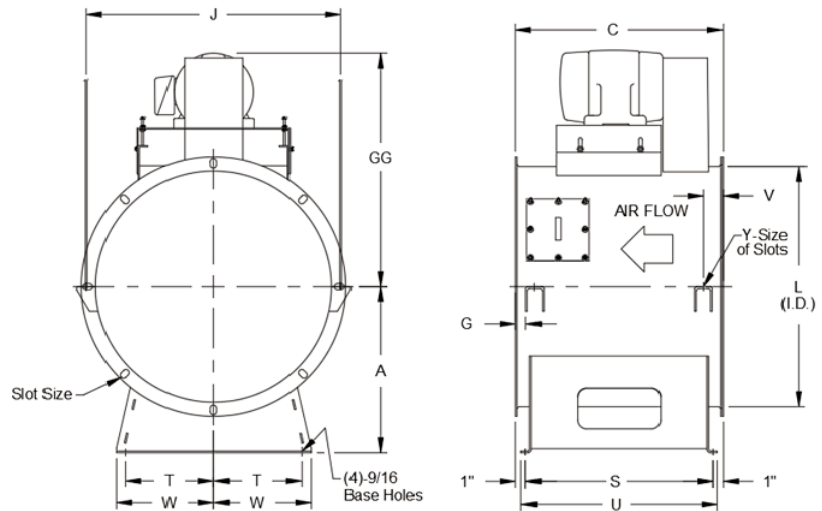
DIMENSIONS

Dimensions should not be used for construction unless certified. See page 6 for available mounting positions. Note motor size capability on page 18. Tolerance: $\pm 1/8"$.

ARRANGEMENT 9-V



ARRANGEMENTS 9-M, 9-S, AND 9-D



DIMENSIONS [INCHES]

Size	9-D, 9-M, 9-S, 9-V			9-M Only					9-V Only			9-S Only			
	C	L	GG [Max] [Approx]	A	S	T	U	W	B°	TT	WW	G	J	V	Y
12	20	12	19 ⁵ / ₈	13	18	7 ¹ / ₈	19 ¹ / ₂	8	25	7 ⁵ / ₈	8 ⁵ / ₈	1	14 ¹ / ₄ *	2	5/8 x 7/8
15	20	15	21 ⁵ / ₈	14 ¹ / ₂	18	8 ⁵ / ₈	19 ¹ / ₂	9 ¹ / ₂	35	9	10	1	17 ¹ / ₄	2	5/8 x 7/8
18	20	18	24 ⁵ / ₈	16	18	10 ¹ / ₈	19 ¹ / ₂	11	45	10 ⁷ / ₁₆	11 ⁷ / ₁₆	1	20 ¹ / ₄	2 ¹ / ₂	5/8 x 7/8
24	21	24	29 ¹ / ₈	19	19	13 ¹ / ₈	20 ¹ / ₂	14	45	14 ¹⁵ / ₁₆	15 ¹⁵ / ₁₆	1	27 ¹ / ₄	2 ¹ / ₂	7/8 x 1-1/8
27	22	27	30 ⁷ / ₈	20	20	14 ¹ / ₈	21 ¹ / ₂	15	45	16 ⁷ / ₁₆	17 ⁷ / ₁₆	1	30 ¹ / ₄	2 ¹ / ₂	7/8 x 1-1/8
30	22	30	32 ⁵ / ₈	22	20	16 ¹ / ₈	21 ¹ / ₂	17	45	18 ¹ / ₁₆	19 ¹ / ₁₆	1	33 ³ / ₄	2 ¹ / ₂	7/8 x 1-1/8
34	26	34	34 ³ / ₈	24	24	18 ¹ / ₈	25 ¹ / ₂	19	45	20 ¹ / ₁₆	21 ¹ / ₁₆	1	37 ¹ / ₄	2 ¹ / ₂	7/8 x 1-1/8
36	28	36	37 ¹ / ₂	25 ¹ / ₂	26	19 ¹ / ₈	27 ¹ / ₂	20	45	21 ³ / ₁₆	22 ³ / ₁₆	1	39 ¹ / ₄	2 ¹ / ₂	7/8 x 1-1/8
42	29	42	40 ⁷ / ₈	28	27	22 ¹ / ₈	28 ¹ / ₂	23	45	23 ¹³ / ₁₆	24 ¹³ / ₁₆	1	45 ¹ / ₄	2 ¹ / ₂	7/8 x 1-1/8
48	31	47 ³ / ₄	44	31 ¹ / ₂	29	25 ¹ / ₈	30 ¹ / ₂	26	45	26 ³ / ₄	27 ³ / ₄	2	51	3 ¹ / ₂	7/8 x 1-1/8

*Weather cover not available for size 12 arr-9s only.

The New York Blower Company has a policy of continual product improvement and reserves the right to change designs and specifications without notice.