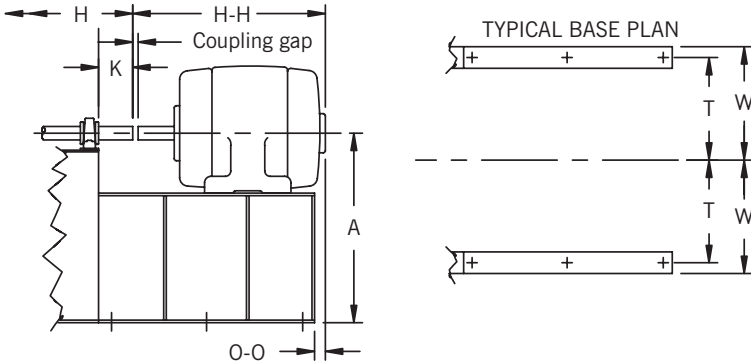


DIMENSIONS [INCHES] Not to be used for construction unless certified.

ARRANGEMENT 8 MOTOR PEDESTAL DIMENSIONS

These approximate dimensions can be used to estimate the overall size of Arrangement 8 fans. Add the appropriate dimensions below to the fan dimensions on page 10.

Note: coupling gap is based on the FALK STEELFLEX coupling sizes shown. As the gap will vary with other coupling sizes or types, so will the Arrangement 8 motor pedestal dimensions. Specific motor and coupling data is required to determine exact dimensions.



DIMENSIONS [INCHES] ARRANGEMENT 8 ONLY

Motor frame size	Coupling		O-O*		H-H*			
					Open		TE	
	Size	Gap	Min.	Max.	Min.	Max.	Min.	Max.
213T -215T	50T	1/8	13/8	5 1/2	15 7/8	17 3/8	17 7/8	20
254T -256T	60T	1/8	1	5 7/8	20 5/8	22 1/2	22 1/2	25 1/2
284T -286T	70T	1/8	1 1/2	6 3/8	23 1/2	25 1/8	25 3/8	28 3/8
284TS-286TS	70T	1/8	1 1/2	6 1/2	22 1/8	23 3/4	24 1/8	27 1/8
324T -326T	80T	1/8	1	6 3/4	26 1/8	27 3/4	28 1/4	31 7/8
324TS-326TS	80T	1/8	1	6 3/4	24 5/8	26 1/8	26 3/4	30 3/8
364T -365T	90T	1/8	1 1/8	7	28 1/4	29 7/8	32 1/2	34 1/8
364TS-365TS	90T	1/8	1 5/8	7	26 5/8	27 5/8	30 3/8	32
404T -405T	90T	1/8	2 3/8	8 3/4	32 5/8	34 1/4	37 3/8	39
404TS-405TS	90T	1/8	2 3/8	8 3/4	29 5/8	31 1/4	34 3/8	36
444T -445T	100T	3/16	1 5/8	9 3/8	37 3/8	40	42	45 1/8
444TS-445TS	100T	3/16	2 1/8	9 3/8	34 1/8	36 1/4	38 3/8	41 3/8

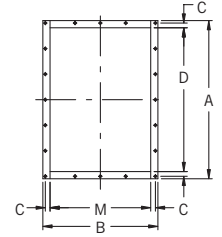
*H-H and O-O based on several major motor manufacturers—consult **nyb** for exact dimensions. Dimensions not to be used for construction unless certified.

FAN SPECIFICATIONS ARRANGEMENT 8 ONLY

Size	Wheel diameter [inches]	Wheel circumference [feet]	Capacity outlet area with evase [sq. ft.]
738	73	19.1	33.8
808	80 3/4	21.1	41.3
898	89	23.3	50.7

FLANGED OUTLET

1. Mounted flush with edge of housing outlet.
2. Furnished as standard with holes on 4" centers from centerlines.



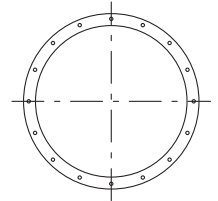
DIMENSIONS [INCHES]

Size	A		B†	C	D		M†	Standard holes			
	Fan	Evase			Fan	Evase		Sides	†Top	†Bottom	Size
							Fan	Evase			
278	27 3/8	43 1/2	19 3/8	3/4	24 7/8	41	16 7/8	7	11	3	7/16
308	30 3/8	48 1/2	21 1/2	7/8	27 3/8	45 1/2	18 1/2	7	11	5	7/16
338	33 1/4	53	23 3/8	7/8	30 1/4	50	20 3/8	9	13	5	7/16
368	36 1/2	58 1/4	25 5/8	7/8	33 1/2	55 1/4	22 5/8	9	15	5	7/16
408	39 7/8	63 7/8	27 7/8	7/8	36 7/8	60 7/8	24 7/8	9	15	5	7/16
448	44 3/4	71 1/4	31 1/2	1 1/8	40 3/4	67 1/4	27 1/2	11	17	7	9/16
498	48 7/8	78	34 3/8	1 1/8	44 7/8	74	30 3/8	11	19	7	9/16
548	53 5/8	85 7/8	37 1/2	1 1/8	49 5/8	81 7/8	33 1/2	13	21	7	9/16
608	58 5/8	94 1/2	40 7/8	1 1/8	54 5/8	90 1/2	36 7/8	15	23	9	9/16
668	64 3/8	103 1/2	44 3/4	1 1/8	60 3/8	99 1/2	40 3/4	15	25	9	9/16
738	70 7/8	114	49	1 1/8	66 7/8	110	45	17	29	11	9/16
808	77 1/2	126	53 1/2	1 1/8	73 1/2	122	49 1/2	19	31	11	9/16
898	85 1/4	139	58 3/4	1 1/8	81 1/4	135	54 3/4	21	35	13	9/16

†Dimensions will vary with narrow-width construction. Tolerance: ± 1/8"

FLANGED INLET

Furnished as standard with holes on vertical centerline.

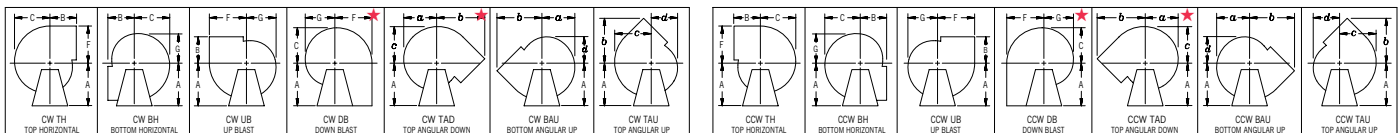


DIMENSIONS [INCHES]

Size	Inside diameter	Bolt circle	Outside diameter	Standard holes	
				Number	Diameter
278	24 3/8	26 1/8	27 3/8	16	9/16
308	26 7/8	29 1/8	30 7/8	16	9/16
338	29 1/2	31 3/4	33 1/2	16	9/16
368	32 7/8	35 1/8	36 7/8	16	9/16
408	36 1/8	38 3/8	40 1/8	16	9/16
448	40 1/8	42 3/8	44 1/8	16	9/16
498	43 7/8	46 1/8	47 7/8	24	9/16
548	48 7/8	51 1/8	52 7/8	24	9/16
608	53 7/8	56 1/8	57 7/8	24	9/16
668	59 3/8	61 5/8	63 3/8	24	9/16
738	66 1/8	68 3/8	70 1/8	32	9/16
808	72 5/8	74 7/8	76 5/8	32	9/16
898	80 5/8	82 7/8	84 5/8	32	9/16

Tolerance: ± 1/8"

FAN DISCHARGES – VIEWED FROM DRIVE SIDE

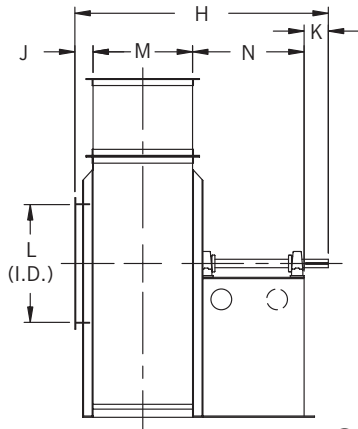


Clockwise—angular discharges at 45°

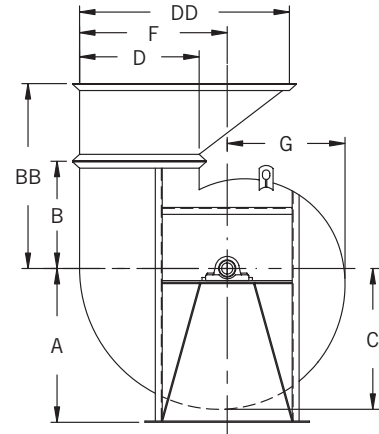
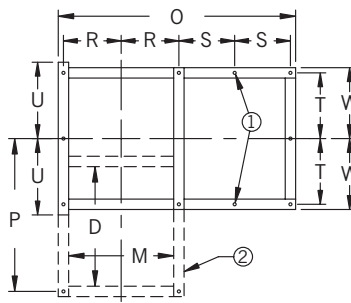
Counterclockwise—angular discharges at 45°

★ Down Blast and Top Angular Down discharge positions must be evaluated for clearance of accessories such as unitary base, outlet damper, evase, etc. Consult **nyb** with specific details.

DIMENSIONS [INCHES] Not to be used for construction unless certified.



① Omitted on Sizes 278 through 338.



② Base bars form flanged outlet on Down Blast.

M, D, and DD are outside housing dimensions. J is from housing side over inlet. L is inside diameter.

ARRANGEMENTS 1 AND 8																					
Size	A							B				BB		C	D	DD	F	G	H†		J
	TH	TAD	BH	BAU	UB	TAU	DB	*	TAD	*	TAD	C	D						DD	F	
278	25 3/4	25 3/4	31 1/4	31 1/4	27 1/2	27 1/2	25 3/4	20 1/2	30 3/4	40 1/4	50 1/2	25	24 7/8	41	28 3/4	21 1/8	47 7/8	47 7/8	5		
308	27 1/4	27 1/4	34 1/2	34 1/2	30 1/4	30 1/4	26 1/4	22 1/2	33 1/4	44 3/8	55 1/8	27 3/8	27 3/8	45 1/2	32	23 1/2	52	51 1/2	5		
338	29 1/2	29 1/2	38 1/2	38 1/2	33 1/4	33 1/4	26 1/2	24 1/2	36	48 3/8	60 1/8	30 1/2	30 1/4	50	35 1/8	25 7/8	57 3/8	56 3/8	6		
368	32 3/4	32 3/4	42 1/4	42 1/4	35 1/2	35 1/2	29	29	40 3/4	55 5/8	67 3/8	33 3/4	33 1/2	55 1/4	38 7/8	28 5/8	63 1/8	61 5/8	6		
408	36	36	46 1/4	46 1/4	40	40	31	31	44	60 3/8	73 3/8	37 1/4	36 7/8	60 7/8	42 7/8	31 1/2	68 7/8	67 7/8	6		
448	39	39	50 3/4	50 3/4	44	44	33 1/2	33 1/2	47 3/4	66	80 1/4	41 1/8	40 3/4	67 1/4	47 1/4	34 7/8	75	73 1/2	6		
498	42	42	55 1/2	55 1/2	48 1/4	48 1/4	36	36	52	71 3/4	87 3/4	45 1/2	44 7/8	74	52 1/8	38 1/4	81 3/8	79 3/8	6		
548	46	46	61 1/2	61 1/2	53 1/4	53 1/4	40	40	56 3/4	79 5/8	96 3/8	50 1/4	49 5/8	81 7/8	57 5/8	42 3/8	90	87 1/2	7		
608	51	51	67 3/4	67 3/4	58 1/2	58 1/2	43	43	62 1/2	86 3/4	106 1/4	55 3/8	54 5/8	90 1/2	63 3/4	46 7/8	98 7/8	96 7/8	7		
668	55	55	74	74	64 1/4	64 1/4	47	47	68	95 1/8	116 1/8	60 3/4	60 3/8	99 1/2	70 1/8	51 1/2	107 1/4	104 3/4	7		
738	64	60	81 1/2	78 1/2	75 3/4	71	51 1/2	51 1/2	74 1/2	104 3/4	127 3/4	67 1/4	66 7/8	110	77 1/2	57	NA	114	7		
808	70	65 1/2	89 3/4	86 1/4	82 7/8	77 5/8	57 1/2	57 1/2	65 1/2	116 3/8	124 3/8	74 3/8	73 1/2	122	85 3/4	68	NA	125 1/2	7		
898	76 1/2	71 1/4	98 1/2	94 3/8	90 1/2	84 5/8	67	67	71	131 7/8	135 7/8	82	81 1/4	135	94 1/2	69 1/2	NA	137 3/4	7		

NA – Not available. * For TH, BH, UB, BAU and TAU discharges. For DB discharge, use A dimension for B.

Size	K		L	M†	N	O†		P	R†	S	T	U	W	a	b		c	d	Arr. 1 Base holes
	Arr. 1	Arr. 8				Arr. 1	Arr. 8								BAU/TAU	TAD			
278	6	6	24 3/8	16 7/8	20	42 1/2	39 7/8	30 1/4	10	19 5/8	15 3/8	18 1/2	16 7/8	23 1/8	34 3/4	42	26 7/8	19 3/8	8-3/4"
308	6 1/2	6	26 7/8	18 1/2	22	46 1/8	43 1/2	33 1/2	10 7/8	21 5/8	17 3/8	20 1/4	18 7/8	25 5/8	38 1/2	45 1/4	29 7/8	21 1/2	8-3/4"
338	7	6	29 1/2	20 3/8	24	52	48 3/8	37 1/8	12 1/4	23 5/8	19	22 1/4	21	28 1/4	42 1/8	50 1/4	32 7/8	23 1/2	8-3/4"
368	7 1/2	6	32 7/8	22 5/8	27	57 1/4	53 5/8	40 7/8	13 3/8	25 1/8	20 1/2	24 1/4	22 1/2	31 1/8	48	56 3/8	36 3/8	26	10-1"
408	8	7	36 1/8	24 7/8	30	62 1/2	58 7/8	44 7/8	14 1/2	27 1/8	21 1/4	26	23 1/4	34 1/8	52 1/4	61 1/2	40	28 3/4	10-1"
448	8 1/2	7	40 1/8	27 1/2	33	68 1/8	64 1/2	49 1/4	15 3/4	29 1/8	23	28 1/2	25	37 7/8	57 1/8	67 1/8	44 1/4	31 5/8	10-1"
498	9	7	43 7/8	30 3/8	36	74	70 3/8	54 1/8	17 1/4	31 1/8	24	31	26	41 3/4	62 3/8	73 3/8	48 5/8	34 7/8	10-1"
548	9 1/2	7	48 7/8	33 1/2	40	83 1/8	78 1/2	60 1/8	19 1/4	34 1/8	27	33 3/4	29 1/2	46 1/4	69	80 7/8	53 7/8	38 1/2	10-1"
608	10	8	53 7/8	36 7/8	45	91 1/2	86 7/8	66 1/4	21	37 3/8	29	37 1/4	31 1/2	51	75 1/2	89 3/8	59 1/2	42 5/8	10-1"
668	10 1/2	8	59 3/8	40 3/4	49	99 3/8	94 3/4	72 5/8	22 7/8	40 3/8	31	40 1/2	33 1/2	56 1/8	82 3/4	97 5/8	65 1/2	46 7/8	10-1"
738	NA	8	66 1/2	45	54	NA	104	80	25	26 7/8	33	44 1/2	35 1/2	62 1/8	91 1/4	107 1/2	72 3/8	51 7/8	NA
808	NA	9	72 5/8	49 1/2	60	NA	114 1/2	88 1/4	25 1/4	29 3/4	40	50 7/8	42 1/2	68 5/8	101 1/4	106 7/8	80	57 3/8	NA
898	NA	9	80 5/8	54 3/4	67	NA	126 3/4	97	27 1/2	33 1/4	45	55 1/4	47 1/2	75 3/4	114 1/4	117	88 1/4	63 1/8	NA

NA – Not available. † Dimensions will vary with narrow-width construction.

Tolerance: ± 1/8"

MATERIAL SPECIFICATIONS DIMENSIONS [INCHES]												
Size†	Housing		Base bars	Base angles	Inlet flange angles	Outlet flange angles	Bearing pedestal	Wheel			Bare fan weight [lbs.] Arr. 1‡	
	Side and scroll	Side channels						ASTM A572-50 (INX-50) or ASTM A572-60 (INX-60)		Weight [lbs.]*		WR² [lbs.-ft.]*
							Blades	Backplate				
278	1/4	3"-4.1#	3 x 3/8	3 x 2 x 3/16	1 1/2 x 1 1/2 x 3/16	1 1/4 x 1 1/4 x 3/16	3/8	1/4	1/4	125	80	1100
308	1/4	3"-4.1#	3 x 3/8	3 x 2 x 3/16	2 x 2 x 3/16	1 1/2 x 1 1/2 x 3/16	3/8	1/4	1/4	165	123	1365
338	1/4	4"-5.4#	4 x 1/2	4 x 3 x 1/4	2 x 2 x 3/16	1 1/2 x 1 1/2 x 3/16	3/8	1/4	1/4	190	176	1670
368	1/4	4"-5.4#	4 x 1/2	4 x 3 x 1/4	2 x 2 x 3/16	1 1/2 x 1 1/2 x 3/16	3/8	1/4	1/4	265	275	2110
408	1/4	4"-5.4#	4 x 1/2	4 x 3 x 1/4	2 x 2 x 3/16	1 1/2 x 1 1/2 x 3/16	3/8	1/4	1/4	305	397	2435
448	1/4	4"-5.4#	4 x 1/2	4 x 3 x 1/4	2 x 2 x 3/16	2 x 2 x 3/16	3/8	1/4	1/4	355	591	2990
498	1/4	4"-5.4#	4 x 1/2	4 x 3 x 1/4	2 x 2 x 3/16	2 x 2 x 3/16	3/8	1/4	1/4	410	856	3430
548	1/4	5"-6.7#	5 x 5/8	5 x 3 1/2 x 5/16	2 x 2 x 3/16	2 x 2 x 3/16	3/8	1/4	3/8	695	1600	4560
608	1/4	5"-6.7#	5 x 5/8	5 x 3 1/2 x 5/16	2 x 2 x 3/16	2 x 2 x 3/16	3/8	1/4	3/8	795	2339	5375
668	1/4	5"-6.7#	5 x 5/8	5 x 3 1/2 x 5/16	2 x 2 x 3/16	2 x 2 x 3/16	3/8	1/4	3/8	975	3494	6520
738	1/4	5"-6.7#	5 x 5/8	5 x 3 1/2 x 5/16	2 x 2 x 3/16	2 x 2 x 3/16	3/8	1/4	3/8	1135	5125	NA
808	1/4	5"-6.7#	5 x 5/8	5 x 3 1/2 x 5/16	2 x 2 x 3/16	2 x 2 x 3/16	3/8	1/4	3/8	1665	8737	NA
898	1/4	5"-6.7#	5 x 5/8	5 x 3 1/2 x 5/16	2 x 2 x 3/16	2 x 2 x 3/16	3/8	1/4	3/8	1920	12591	NA

NA – Not available.

* Wheel weight and WR² will decrease on narrow-width fans . . . Consult nyb.

† Refer to Chart 1, Page 6, for standard shaft size and bearing type.

‡ Arrangement 8 bare fan weights are available on application. Motor selection will influence design of motor pedestal.