

## WHEEL SPECIFICATIONS

Size	Steel		Alloy 2205		Aluminum		Size	Steel		Alloy 2205		Aluminum	
	Wheel weight†	WR <sup>2</sup>	Wheel weight†	WR <sup>2</sup>	Wheel weight†	WR <sup>2</sup>		Wheel weight†	WR <sup>2</sup>	Wheel weight†	WR <sup>2</sup>	Wheel weight†	WR <sup>2</sup>
27004	69	39	70	38	42	22	32006	113	79	115	78	77	42
27006	69	39	70	38	42	22	32008	113	79	115	78	77	42
27008	71	40	72	40	44	23	32010	115	81	117	80	79	45
27010	95	47	96	46	68	26	32012	119	85	120	84	81	47
27012	97	49	98	48	70	27	32014	123	91	124	89	83	51
27504	71	41	72	41	43	23	33008	126	94	122	92	79	50
27506	71	41	72	41	43	23	33010	127	98	123	96	80	52
27508	73	43	74	43	45	25	33012	126	99	122	97	79	53
27510	97	50	98	49	69	27	33014	131	107	127	104	81	57
27512	100	53	101	52	71	29	33508	128	99	124	97	80	53
28004	73	44	74	44	44	25	33510	130	103	126	101	81	55
28006	73	44	74	44	44	25	33512	129	105	125	103	81	56
28008	75	46	76	46	46	27	33514	134	113	130	110	82	59
28010	99	53	100	52	71	29	34008	131	105	127	102	81	55
28012	102	56	103	55	72	31	34010	133	109	129	107	83	57
28504	75	47	76	47	45	26	34012	132	111	128	108	82	59
28506	75	47	76	47	45	26	34014	138	119	134	116	84	63
28508	77	49	78	49	48	29	34508	134	110	130	108	83	58
28510	101	56	103	55	72	31	34510	136	115	132	113	84	60
28512	105	59	106	58	73	33	34512	135	117	131	114	83	61
29004	77	51	78	50	46	28	34514	141	125	137	123	86	66
29006	77	51	78	50	46	28	35008	137	116	133	114	84	61
29008	79	53	81	52	49	30	35010	139	121	135	119	84	63
29010	104	60	105	59	73	33	35012	138	123	134	120	85	65
29012	107	63	108	62	75	35	35014	144	132	140	129	87	69
30006	104	63	105	62	72	33	36010	150	129	150	126	101	75
30008	104	63	105	62	72	33	36012	153	134	153	131	102	77
30010	105	65	107	63	74	35	36014	171	153	171	150	120	91
30012	108	68	110	67	75	37	36016	176	155	177	152	123	93
30014	112	72	113	71	77	40	36510	153	136	153	133	102	78
30506	106	66	108	65	73	35	36512	156	141	156	138	104	81
30508	106	66	108	65	73	35	36514	174	160	175	157	122	95
30510	108	68	109	67	75	38	36516	180	162	180	159	125	97
30512	111	72	112	71	77	40	37010	156	143	156	140	104	82
30514	114	76	116	75	78	43	37012	159	148	159	145	105	85
31006	108	70	110	69	75	37	37014	178	168	178	164	124	99
31008	108	70	110	69	75	37	37016	183	170	183	167	127	101
31010	110	72	112	71	77	40	37510	159	150	159	147	105	86
31012	113	76	115	75	78	42	37512	162	156	162	153	107	89
31014	117	81	119	80	80	45	37514	181	176	181	172	125	104
31506	111	75	112	73	76	40	37516	187	178	187	175	129	106
31508	111	75	112	73	76	40	38010	165	161	165	158	107	90
31510	113	77	114	76	78	42	38012	165	167	165	164	109	93
31512	116	81	118	79	79	44	38014	184	184	184	180	127	108
31514	120	86	121	84	81	48	38016	190	187	190	183	130	110

† Includes bushing weight on steel and aluminum wheels. Alloy 2205 wheels are interference fit to the shaft.

[NOTE: Sizes 360-380, Arr. 1 and 8, are not furnished with bushings; interference fit is standard.]

SHAFT AND BEARING DETAILS				
Size	Arrangement 1		Arrangement 8	
	Shaft diameter♦	Bearings*	Shaft diameter♦	Bearings*
270 - 290	27/16	P-U3K39	27/16	P-U3K39
300 - 320	215/16	P-U3K47	215/16	P-U3K47
330 - 350	37/16	P-U3K55	37/16	P-U3K55
360 - 380	37/16	P-U3K55	37/16	P-U3K55

♦ See tables on pages 12 and 13 for shaft turndown at drive end on Arrangement 8 fans.

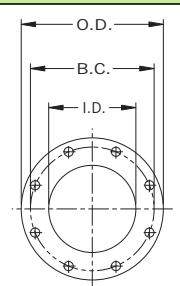
\* nyb reserves the right to substitute bearings of equal rating.

FLANGE DIMENSIONS [INCHES]				
Size	I.D.	O.D.	B.C.	Holes ‡ No., size
4	4	9	7 1/2	8 - 3/4
6	6	11	9 1/2	8 - 7/8
8	8	13 1/2	11 3/4	8 - 7/8
10	10	16	14 1/4	12 - 1
12	12	19	17	12 - 1
14	14	21	18 3/4	12 - 1 1/8
16	16	23 1/2	21 1/4	16 - 1 1/8

‡ Holes straddle centerline.

ANSI Class 125/150 hole pattern.

Flange thickness: 3/8"



# DIMENSIONS [INCHES]

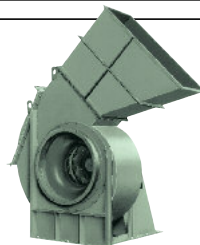
Not to be used for construction unless certified. Arrangement 1, 4, and 8 bare fan weight does not include wheel or motor. For wheel weights, see page 11. Weights in pounds.

Tolerance: ± 1/8"

Size	Outlet size	Motor frame	Arrangement 4					Arrangement 8											
			A	H	N	R	Bare fan weight	A	H	N	R	Shaft diameter, drive end	Bare fan weight						
270-290	4/6	254T - 256T	34	34 1/2	26 3/8	3 1/2	565	31 1/4	58 3/8	50 1/4	3 1/2	1 11/16	1060						
		284TS - 286TS	34 3/4						60 3/8	52 1/4		1 11/16	1065						
		324TS - 326TS	35 3/4						63 7/8	55 3/4		1 15/16	1075						
	8	254T - 256T	34	35 1/2	26 3/8	4	575		59 5/8	50 1/4	4	1 11/16	1070						
		284TS - 286TS	34 3/4						61 5/8	52 1/4		1 11/16	1075						
		324TS - 326TS	35 3/4						65 1/8	55 3/4		1 15/16	1085						
		364TS - 365TS	34 1/2						43 1/8	34		870	67 1/8	58	2 3/16	1270			
		404TS - 405TS	35 1/2										72 1/8	63	2 3/16	1295			
		10	254T - 256T										34	36 5/8	26 3/8	4 1/2	610	60 1/2	50 1/4
	284TS - 286TS		34 3/4	62 1/2	52 1/4	1 11/16	1105												
	324TS - 326TS		35 3/4	66	55 3/4	1 15/16	1120												
	12	364TS - 365TS	34 1/2	44 1/4	34	5 1/2	935		68 1/4	58	5 1/2	2 3/16	1305						
		404TS - 405TS	35 1/2						73 1/4	63		2 3/16	1330						
		444TS - 445TS	34 1/2						56 1/4	46		1235	—	—	—	—			
		254T - 256T	34						38 5/8	26 3/8		4 1/2	640	62 1/2	50 1/4	4 1/2	1 11/16	1135	
		284TS - 286TS	34 3/4											64 1/2	52 1/4		1 11/16	1140	
		324TS - 326TS	35 3/4											68	55 3/4		1 15/16	1150	
	14	364TS - 365TS	34 1/2	46 1/4	34	5 1/2	935		70 1/4	58	5 1/2	2 3/16	1335						
		404TS - 405TS	35 1/2						75 1/4	63		2 3/16	1360						
		444TS - 445TS	34 1/2						58 1/4	46		1265	—	—	—	—			
		6/8	254T - 256T						34	34 5/8		26 3/8	3 1/2	620	60 1/2	52 1/4	3 1/2	1 11/16	1265
			284TS - 286TS						34 3/4						62 1/2	54 1/4		1 11/16	1270
			324TS - 326TS						35 3/4						66	57 3/4		1 15/16	1285
	364TS - 365TS		34 1/2	42 1/4	34	915	68 1/4		60		2 3/16				1480				
404TS - 405TS	35 1/2		73 1/4				65	2 3/16	1510										
10	254T - 256T	34	35 5/8	26 3/8	4	640	61 1/2	52 1/4	4	1 11/16	1285								
	284TS - 286TS	34 3/4					63 1/2	54 1/4		1 11/16	1290								
	324TS - 326TS	35 3/4					67 1/4	57 3/4		1 15/16	1305								
	364TS - 365TS	34 1/2					43 1/4	34		935	69 1/4	60	2 3/16	1500					
	404TS - 405TS	35 1/2									74 1/4	65	2 3/16	1530					
	12	444TS - 445TS									34 1/2	55 1/4	46	1265	79 1/4	70	2 15/16	1690	
254T - 256T		34	37 1/4	26 3/8	4 7/8	675			63 1/8		52 1/4	4 7/8	1 11/16	1320					
284TS - 286TS	34 3/4	65 1/8					54 1/4	1 11/16	1330										
14	324TS - 326TS	35 3/4	44 7/8	34	5 7/8	970	68 5/8	57 3/4	5 7/8	1 15/16	1340								
	364TS - 365TS	34 1/2					70 7/8	60		2 3/16	1540								
	404TS - 405TS	35 1/2					75 7/8	65		2 3/16	1565								
	444TS - 445TS	34 1/2					56 7/8	46		1300	80 7/8	70	2 15/16	1730					
	447TS - 449TS	34 1/2									88 7/8	78	2 15/16	1800					
	14	254T - 256T					34	39 1/2		26 3/8	6	710	65 3/8	52 1/4	6	1 11/16	1355		
284TS - 286TS		34 3/4	67 3/8	54 1/4	1 11/16	1365													
324TS - 326TS		35 3/4	70 7/8	57 3/4	1 15/16	1375													
364TS - 365TS		34 1/2	47 1/8	34	1005	73 1/8	60		2 3/16				1575						
404TS - 405TS		35 1/2				78 1/8	65		2 3/16				1600						
444TS - 445TS		34 1/2				59 1/8	46		1335				83 1/8	70		2 15/16	1765		
447TS - 449TS	34 1/2	91 1/8						78		2 15/16	1835								

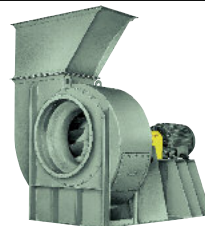
## HIGH-PRESSURE FAN OPTIONS FOR HIGHER AIRFLOW APPLICATIONS

Refer to separate bulletin on each product line.



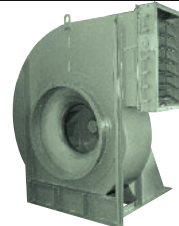
**AF FANS**

High-efficiency, airfoil wheel designed for clean-air applications. Capacities to 240,000 CFM [6800 CMM], static pressures to 50" [12.4 kPa].



**RTS FANS**

High-efficiency, radial-tip wheel suitable for particulate-laden airstreams. Capacities to 220,000 CFM [6200 CMM], static pressures to 30" [7.5 kPa].



**HPBC FANS**

High-efficiency, backward-curved wheel capable of handling light particulate-laden or moist airstreams. Capacities to 170,000 CFM [4815 CMM], static pressures to 40" [9.9 kPa].

# DIMENSIONS [INCHES]

Not to be used for construction unless certified. Arrangement 1, 4, and 8 bare fan weight does not include wheel or motor. For wheel weights, see page 11. Weights in pounds.

Tolerance: ± 1/8"

Size	Outlet size	Motor frame	Arrangement 4					Arrangement 8							
			A▲	H	N	R	Bare fan weight	A	H	N	R	Shaft diameter, drive end	Bare fan weight		
330-350	8	254T - 256T	35 1/2	32 5/8	23 3/8	4 3/8	850	36 3/4	64 1/2	55 1/4	4	27/16	1730		
		284TS - 286TS	36 1/4	35 1/8	25 7/8		875		66 1/2	57 1/4		27/16	1750		
		324TS - 326TS	37 1/4	37 7/8	28 5/8		900		72 1/2	63 1/4		27/16	1775		
		364TS - 365TS	32 5/8	43 1/4	34	4	985		72 1/4	63		2 15/16	1750		
		404TS - 405TS	33 5/8		34				76 3/4	67 1/2		37/16	1785		
		444TS - 445TS	37 3/4	46	82 1/2		73 1/4		37/16	1935					
		447TS - 449TS	37 3/4	46	91		81 3/4		37/16	2010					
	254T - 256T	35 1/2	33 3/4	23 3/8	4 7/8		870		65 5/8	55 1/4	4 1/2	27/16	1745		
	284TS - 286TS	36 1/4	36 1/4	25 7/8			890		67 5/8	57 1/4		27/16	1765		
	324TS - 326TS	37 1/4	39	28 5/8			920		73 5/8	63 1/4		27/16	1790		
	364TS - 365TS	32 5/8	44 3/8	34	4 1/2	1000	73 3/8		63	2 15/16		1765			
	404TS - 405TS	33 5/8		34			77 7/8		67 1/2	37/16		1800			
	444TS - 445TS	37 3/4	46	83 5/8		73 1/4	37/16		1950						
	447TS - 449TS	37 3/4	46	92 1/8		81 3/4	37/16		2025						
	254T - 256T	35 1/2	34 1/4	23 3/8		5 1/4	880	36 3/4	66 1/8	55 1/4	4 7/8	27/16	1760		
	284TS - 286TS	36 1/4	36 3/4	25 7/8			905		68 1/8	57 1/4		27/16	1780		
	324TS - 326TS	37 1/4	39 1/2	28 5/8			930		74 1/8	63 1/4		27/16	1805		
	364TS - 365TS	32 5/8	44 7/8	34	4 7/8	1015	73 7/8		63	2 15/16		1780			
	404TS - 405TS	33 5/8		34			78 3/8		67 1/2	37/16		1815			
	444TS - 445TS	37 3/4	46	84 1/8		73 1/4	37/16		1965						
	447TS - 449TS	37 3/4	46	92 5/8		81 3/4	37/16		2040						
	254T - 256T	35 1/2	36 1/2	23 3/8		6 3/8	910		36 3/4	68 3/8	55 1/4	6	27/16	1785	
	284TS - 286TS	36 1/4	39	25 7/8			930			70 3/8	57 1/4		27/16	1805	
	324TS - 326TS	37 1/4	41 3/4	28 5/8			960			76 3/8	63 1/4		27/16	1830	
364TS - 326TS	32 5/8	47 1/8	34	6	1040	76 1/8	63			2 15/16	1805				
404TS - 405TS	33 5/8		34			80 5/8	67 1/2			37/16	1840				
444TS - 445TS	37 3/4	46	86 3/8		73 1/4	37/16	1990								
447TS - 449TS	37 3/4	46	94 7/8		81 3/4	37/16	2065								
360-380	10	254T - 256T	35 1/2		32 3/4	23 3/8	4 3/8	915		40	66 5/8	57 1/4	4	27/16	1920
		284TS - 286TS	36 1/4		35 1/4	25 7/8		940			68 5/8	59 1/4		27/16	1945
		324TS - 326TS	37 1/4		38	28 5/8		965			74 5/8	65 1/4		27/16	1975
		364TS - 365TS	32 5/8	43 3/8	34	4	1055	74 3/8			65	2 15/16		1925	
		404TS - 405TS	33 5/8		34			78 7/8			69 1/2	37/16		1960	
		444TS - 445TS	37 3/4	46	84 5/8		75 1/2	37/16			2120				
		447TS - 449TS	37 3/4	46	93 1/8		83 3/4	37/16			2200				
	254T - 256T	35 1/2	33 7/8	23 3/8	5		940	40	67 3/4		57 1/4	4 5/8	27/16	1950	
	284TS - 286TS	36 1/4	36 3/8	25 7/8			960		69 3/4		59 1/4		27/16	1970	
	324TS - 326TS	37 1/4	39 1/8	28 5/8			990		75 3/4		65 1/4		27/16	2000	
	364TS - 365TS	32 5/8	44 1/2	34	4 5/8	1075	75 1/2		65		2 15/16		1945		
	404TS - 405TS	33 5/8		34			80		69 1/2		37/16		1985		
	444TS - 445TS	37 3/4	46	85 3/4		75 1/2	37/16		2140						
	447TS - 449TS	37 3/4	46	94 1/4		83 3/4	37/16		2220						
	254T - 256T	35 1/2	35 7/8	23 3/8		6	965		40	69 3/4	57 1/4	5 5/8	27/16	1975	
	284TS - 286TS	36 1/4	38 3/8	25 7/8			985			71 3/4	59 1/4		27/16	1995	
	324TS - 326TS	37 1/4	41 1/8	28 5/8			1015			77 3/4	65 1/4		27/16	2025	
	364TS - 365TS	32 5/8	46 1/2	34	5 5/8	1100	77 1/2			65	2 15/16		1970		
	404TS - 405TS	33 5/8		34			82			69 1/2	37/16		2010		
	444TS - 445TS	37 3/4	46	87 3/4		75 1/2	37/16			2165					
	447TS - 449TS	37 3/4	46	96 1/4		83 3/4	37/16			2245					
	254T - 256T	35 1/2	36 5/8	23 3/8		6 3/8	980	40		70 1/2	57 1/4	6	27/16	1990	
	284TS - 286TS	36 1/4	39 1/8	25 7/8			1000			72 1/2	59 1/4		27/16	2010	
	324TS - 326TS	37 1/4	41 7/8	28 5/8			1030			78 1/2	65 1/4		27/16	2040	
364TS - 365TS	32 5/8	47 1/4	34	6	1115	78 1/4	65			2 15/16	1985				
404TS - 405TS	33 5/8		34			82 3/4	69 1/2			37/16	2025				
444TS - 445TS	37 3/4	46	88 1/2		75 1/2	37/16	2180								
447TS - 449TS	37 3/4	46	97		83 3/4	37/16	2260								

▲ For Arrangement 4 fan sizes 330-380, and motor frames above 326TS, the A dimension listed above applies for all discharges except BH. For BH fans with larger motor frames, the A dimensions are: 364TS-365TS - 39 1/4"; 404TS-405TS - 40 1/4"; 444TS-449TS - 39 1/8".

# DIMENSIONS [INCHES]

Not to be used for construction unless certified. Arrangement 1, 4, and 8 bare fan weight does not include wheel or motor. For wheel weights, see page 11. Weights in pounds.

Tolerance: ± 1/8"

## ARRANGEMENTS 1, 4, AND 8

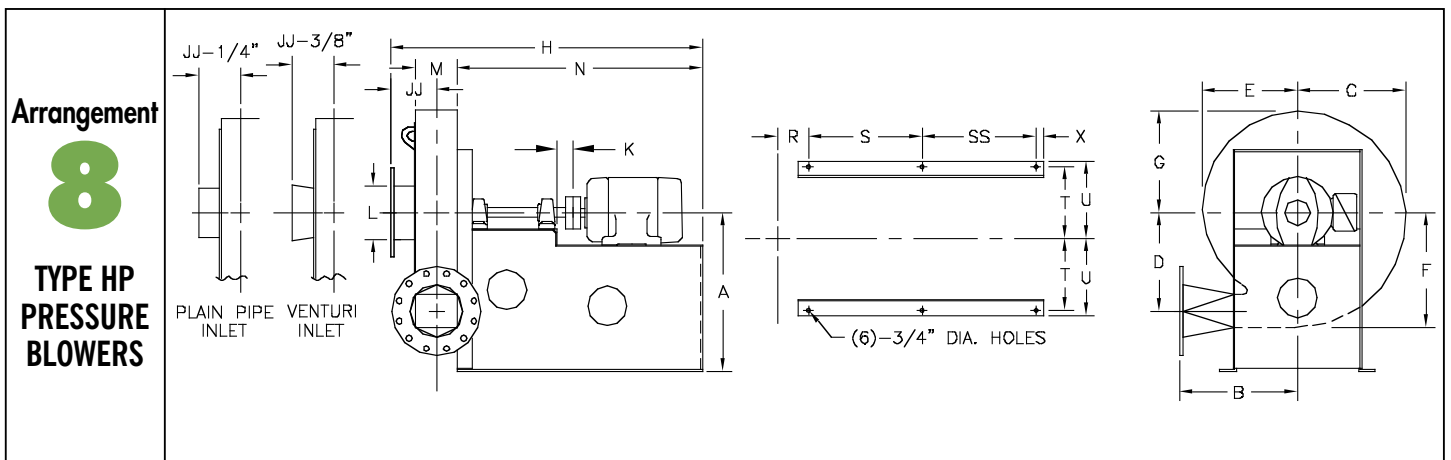
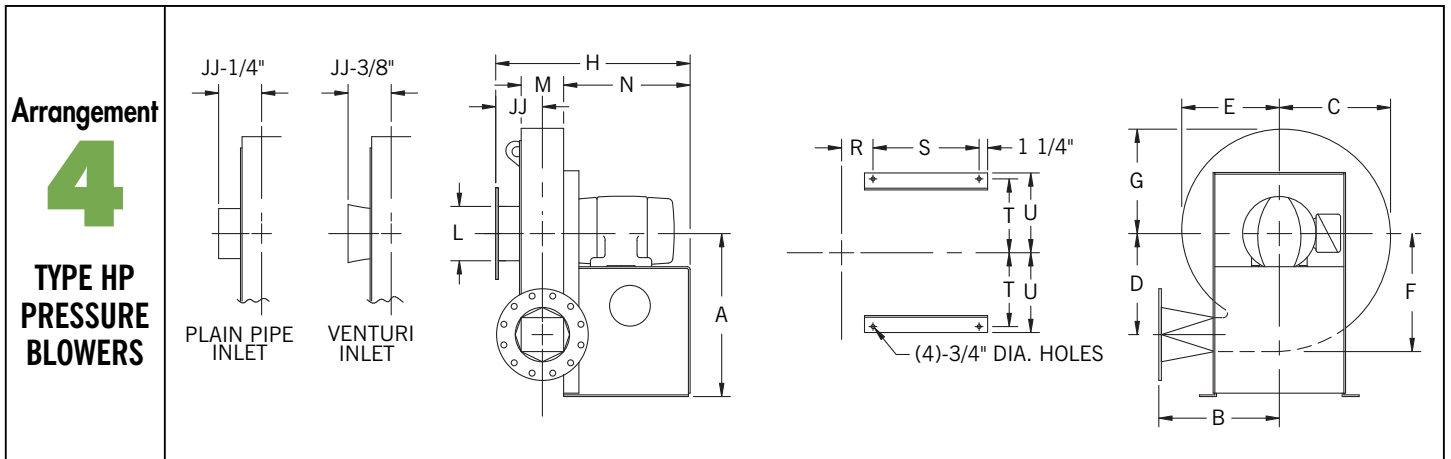
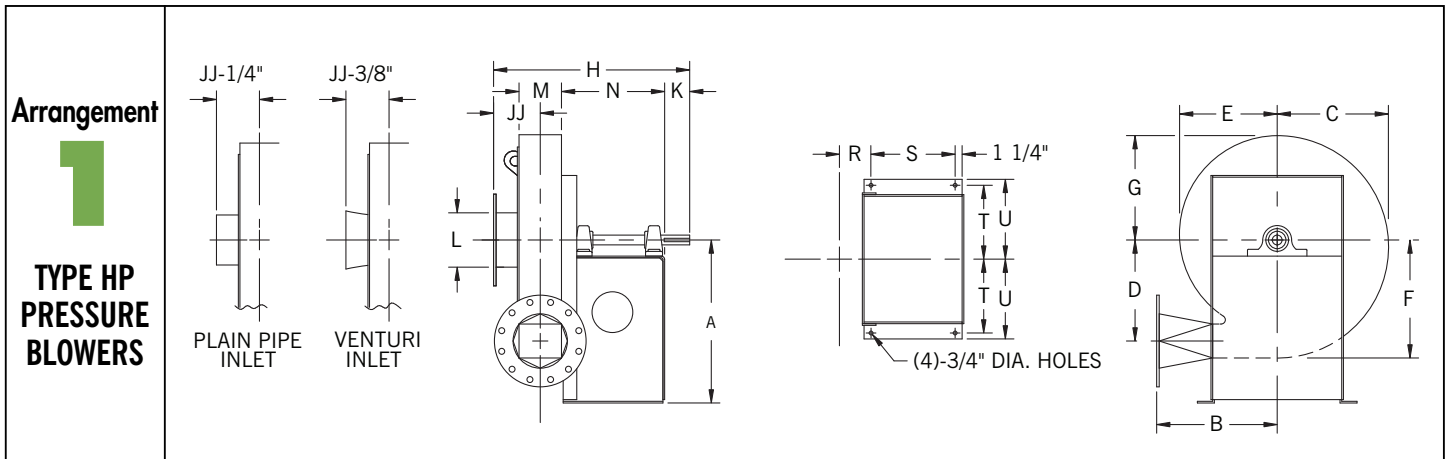
Size	Outlet size	Inlet flange	B	C	D	E	F	G	JJ	L [Inlet I.D.]	M
270-290	4/6	6	19 <sup>3</sup> / <sub>4</sub>	21 <sup>3</sup> / <sub>4</sub>	19 <sup>3</sup> / <sub>4</sub>	19 <sup>1</sup> / <sub>8</sub>	23 <sup>1</sup> / <sub>8</sub>	20 <sup>1</sup> / <sub>2</sub>	6	6	4 <sup>3</sup> / <sub>8</sub>
	8	8							6 <sup>1</sup> / <sub>2</sub>	8	5 <sup>3</sup> / <sub>8</sub>
	10	10	23 <sup>3</sup> / <sub>4</sub>						7	10	6 <sup>1</sup> / <sub>2</sub>
	12	12							8	12	8 <sup>1</sup> / <sub>2</sub>
300-320	6/8	8	20 <sup>1</sup> / <sub>4</sub>	24	21 <sup>3</sup> / <sub>4</sub>	21 <sup>1</sup> / <sub>8</sub>	25 <sup>3</sup> / <sub>8</sub>	22 <sup>1</sup> / <sub>2</sub>	6	8	4 <sup>1</sup> / <sub>2</sub>
	10	10	7						10	5 <sup>1</sup> / <sub>2</sub>	
	12	12	7 <sup>3</sup> / <sub>8</sub>						12	7 <sup>1</sup> / <sub>8</sub>	
	14	14	8 <sup>1</sup> / <sub>2</sub>						14	9 <sup>3</sup> / <sub>8</sub>	
330-350	8	8	28 <sup>3</sup> / <sub>4</sub>	26 <sup>1</sup> / <sub>8</sub>	24 <sup>1</sup> / <sub>8</sub>	23	27 <sup>3</sup> / <sub>4</sub>	24 <sup>5</sup> / <sub>8</sub>	6 <sup>1</sup> / <sub>2</sub>	8	5 <sup>1</sup> / <sub>2</sub>
	10	10							7	10	6 <sup>5</sup> / <sub>8</sub>
	12	12							7 <sup>3</sup> / <sub>8</sub>	12	7 <sup>1</sup> / <sub>8</sub>
	14	14							8 <sup>1</sup> / <sub>2</sub>	14	9 <sup>3</sup> / <sub>8</sub>
360-380	10	10	29 <sup>1</sup> / <sub>4</sub>	28 <sup>3</sup> / <sub>8</sub>	26	25	30	26 <sup>5</sup> / <sub>8</sub>	6 <sup>1</sup> / <sub>2</sub>	10	5 <sup>5</sup> / <sub>8</sub>
	12	12							7 <sup>1</sup> / <sub>8</sub>	12	6 <sup>3</sup> / <sub>4</sub>
	14	14							8 <sup>1</sup> / <sub>8</sub>	14	8 <sup>3</sup> / <sub>4</sub>
	16	16							8 <sup>1</sup> / <sub>2</sub>	16	9 <sup>1</sup> / <sub>2</sub>

## ARRANGEMENT 1

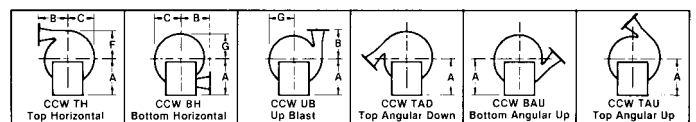
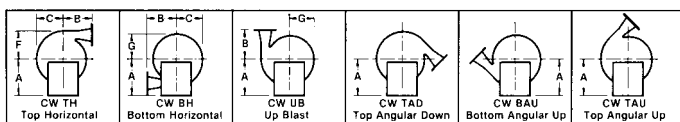
Size	Outlet size	A	H	K	N	R	S	T	U	Bare fan weight
270-290	4/6	31 <sup>1</sup> / <sub>4</sub>	37 <sup>1</sup> / <sub>8</sub>	7 <sup>1</sup> / <sub>4</sub>	22	3 <sup>1</sup> / <sub>2</sub>	19 <sup>1</sup> / <sub>4</sub>	13 <sup>3</sup> / <sub>8</sub>	14 <sup>5</sup> / <sub>8</sub>	790
	8					4				800
	10					4 <sup>1</sup> / <sub>2</sub>				830
	12					5 <sup>1</sup> / <sub>2</sub>				865
300-320	6/8	34 <sup>1</sup> / <sub>2</sub>	40 <sup>1</sup> / <sub>4</sub>	8 <sup>1</sup> / <sub>4</sub>	24	3 <sup>1</sup> / <sub>2</sub>	21 <sup>1</sup> / <sub>4</sub>	13 <sup>3</sup> / <sub>8</sub>	14 <sup>5</sup> / <sub>8</sub>	975
	10					4				995
	12					4 <sup>7</sup> / <sub>8</sub>				1030
	14					6				1065
330-350	8	36 <sup>3</sup> / <sub>4</sub>	43	8	25 <sup>3</sup> / <sub>4</sub>	4	23 <sup>1</sup> / <sub>4</sub>	14 <sup>3</sup> / <sub>8</sub>	15 <sup>5</sup> / <sub>8</sub>	1275
	10					4 <sup>1</sup> / <sub>2</sub>				1290
	12					4 <sup>7</sup> / <sub>8</sub>				1305
	14					6				1330
360-380	10	40	45 <sup>1</sup> / <sub>8</sub>	8	27 <sup>3</sup> / <sub>4</sub>	4	25 <sup>1</sup> / <sub>4</sub>	14 <sup>3</sup> / <sub>8</sub>	15 <sup>5</sup> / <sub>8</sub>	1440
	12					4 <sup>5</sup> / <sub>8</sub>				1460
	14					5 <sup>5</sup> / <sub>8</sub>				1485
	16					6				1500

## ARRANGEMENT 4 AND 8

Size	Motor frame	K		S		SS	T	U		X		
		Arr. 8	Arr. 4	Arr. 8	Arr. 8			Arr. 4	Arr. 8			
270-290	254T - 256T	3	23 <sup>1</sup> / <sub>2</sub>	19 <sup>1</sup> / <sub>4</sub>	28 <sup>3</sup> / <sub>4</sub>	13 <sup>3</sup> / <sub>8</sub>	14 <sup>1</sup> / <sub>4</sub>	14 <sup>5</sup> / <sub>8</sub>	5 <sup>8</sup> / <sub>16</sub>			
	284TS - 286TS									30 <sup>3</sup> / <sub>4</sub>		
	324TS - 326TS									34 <sup>1</sup> / <sub>4</sub>		
	364TS - 365TS									27 <sup>3</sup> / <sub>4</sub>	27 <sup>3</sup> / <sub>4</sub>	
	404TS - 405TS									30 <sup>1</sup> / <sub>4</sub>	30 <sup>1</sup> / <sub>4</sub>	
300-320	254T - 256T	3	23 <sup>1</sup> / <sub>2</sub>	21 <sup>1</sup> / <sub>4</sub>	28 <sup>3</sup> / <sub>4</sub>	13 <sup>3</sup> / <sub>8</sub>	14 <sup>1</sup> / <sub>4</sub>	14 <sup>5</sup> / <sub>8</sub>	5 <sup>8</sup> / <sub>16</sub>			
	284TS - 286TS									30 <sup>3</sup> / <sub>4</sub>		
	324TS - 326TS									34 <sup>1</sup> / <sub>4</sub>		
	364TS - 365TS									28 <sup>3</sup> / <sub>4</sub>	28 <sup>3</sup> / <sub>4</sub>	
	404TS - 405TS									31 <sup>1</sup> / <sub>4</sub>	31 <sup>1</sup> / <sub>4</sub>	
	444TS - 445TS									33 <sup>3</sup> / <sub>4</sub>	33 <sup>3</sup> / <sub>4</sub>	
	447TS - 449TS									37 <sup>3</sup> / <sub>4</sub>	37 <sup>3</sup> / <sub>4</sub>	
330-350	254T - 256T	3 <sup>3</sup> / <sub>4</sub>	20 <sup>1</sup> / <sub>2</sub>	23 <sup>1</sup> / <sub>4</sub>	27 <sup>1</sup> / <sub>8</sub>	14 <sup>3</sup> / <sub>8</sub>	15 <sup>5</sup> / <sub>8</sub>	15 <sup>5</sup> / <sub>8</sub>	1			
	284TS - 286TS									23	29 <sup>1</sup> / <sub>8</sub>	
	324TS - 326TS									25 <sup>3</sup> / <sub>4</sub>	35 <sup>1</sup> / <sub>8</sub>	
	364TS - 365TS									31 <sup>1</sup> / <sub>2</sub>	30 <sup>1</sup> / <sub>4</sub>	30 <sup>1</sup> / <sub>4</sub>
	404TS - 405TS										32 <sup>1</sup> / <sub>2</sub>	32 <sup>1</sup> / <sub>2</sub>
	444TS - 445TS										35 <sup>3</sup> / <sub>8</sub>	35 <sup>3</sup> / <sub>8</sub>
	447TS - 449TS									39 <sup>5</sup> / <sub>8</sub>	39 <sup>5</sup> / <sub>8</sub>	
360-380	254T - 256T	3 <sup>3</sup> / <sub>4</sub>	20 <sup>1</sup> / <sub>2</sub>	25 <sup>1</sup> / <sub>4</sub>	27 <sup>1</sup> / <sub>8</sub>	14 <sup>3</sup> / <sub>8</sub>	15 <sup>5</sup> / <sub>8</sub>	15 <sup>5</sup> / <sub>8</sub>	1			
	284TS - 286TS									23	29 <sup>1</sup> / <sub>8</sub>	
	324TS - 326TS									25 <sup>3</sup> / <sub>4</sub>	35 <sup>1</sup> / <sub>8</sub>	
	364TS - 365TS									31 <sup>1</sup> / <sub>2</sub>	31 <sup>1</sup> / <sub>4</sub>	31 <sup>1</sup> / <sub>4</sub>
	404TS - 405TS										33 <sup>1</sup> / <sub>2</sub>	33 <sup>1</sup> / <sub>2</sub>
	444TS - 445TS										36 <sup>3</sup> / <sub>8</sub>	36 <sup>3</sup> / <sub>8</sub>
	447TS - 449TS										40 <sup>5</sup> / <sub>8</sub>	40 <sup>5</sup> / <sub>8</sub>



FAN DISCHARGES — VIEWED FROM DRIVE SIDE



Clockwise — angular discharges at 45°

Counterclockwise — angular discharges at 45°

Housings are non-reversible and non-rotatable. Discharges available in 22½°. Contact **nyb** for Down Blast discharge.

The New York Blower Company has a policy of continuous product development and reserves the right to change designs and specifications without notice.