

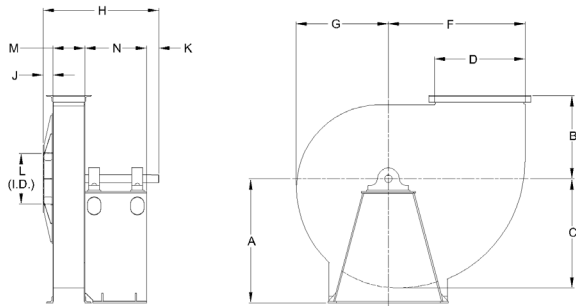
DRAWINGS AND DIMENSIONS

DIMENSIONS

Dimension should not be used for construction unless certified.

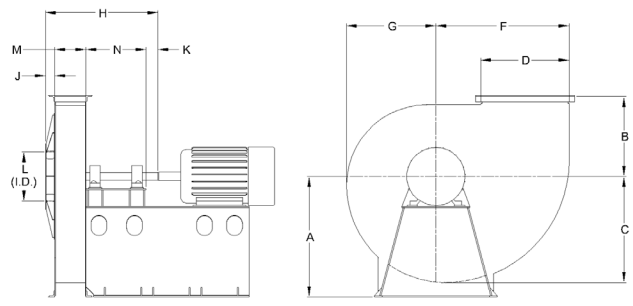
ARRANGEMENT 1

Sizes 24-73



ARRANGEMENT 8

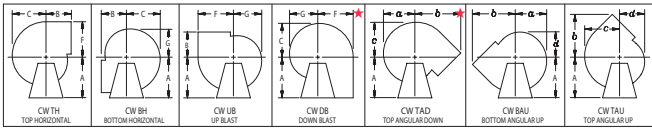
Sizes 24-73



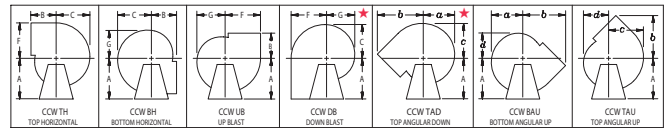
2. Base bars form flanged outlet on Down Blast.

M, D, and DD are outside housing dimensions. J is from housing side over inlet. L is inside diameter.

FAN DISCHARGES – VIEWED FROM DRIVE SIDE



Clockwise—angular discharges at 45°



Counterclockwise—angular discharges at 45°

ARRANGEMENTS 1 AND 8

SIZE	A							B		C	D	F	G	L
	TH	TAD	BH	BAU	UB	TAU	DB	*	TAD					
24	26.00	24.00	35.00	33.00	30.00	28.00	22.00	19.27	19.27	23.83	19.32	29.64	19.83	11.02
27	28.00	26.00	39.00	37.00	33.00	30.00	24.00	21.30	21.30	26.79	21.69	33.32	22.29	12.39
30	31.00	28.00	43.00	40.00	36.00	33.00	26.00	23.33	23.33	29.75	24.06	37.00	24.74	13.77
33	34.00	31.00	48.00	45.00	40.00	37.00	28.00	26.27	26.27	34.02	27.49	42.32	28.30	15.76
36	36.00	33.00	51.00	48.00	42.00	39.00	30.00	28.01	28.01	36.54	29.50	45.46	30.39	16.93
40	40.00	36.00	57.00	53.00	47.00	43.00	33.00	30.90	30.90	40.75	32.88	50.70	33.89	18.90
44	43.00	39.00	61.00	57.00	50.00	46.00	35.00	33.24	33.24	44.15	35.60	54.93	36.71	20.48
49	47.00	43.00	68.00	64.00	56.00	52.00	39.00	37.31	37.31	50.06	40.33	62.30	41.62	23.23
54	51.00	46.00	73.00	68.00	60.00	56.00	42.00	40.21	40.21	54.27	43.71	67.54	45.12	25.2
60	56.00	51.00	81.00	75.00	66.00	61.00	46.00	44.27	44.27	60.19	48.45	74.91	50.03	27.95
66	61.00	55.00	88.00	82.00	72.00	66.00	50.00	48.34	48.34	66.10	53.18	82.27	54.94	30.70
73	67.00	61.00	98.00	91.00	80.00	73.00	55.00	53.57	53.57	73.71	59.28	91.74	61.26	34.25

NA – Not available. * For TH, BH, UB, BAU and TAU discharges. For DB discharge, use A

SIZE	M	a	b		c	d	H		J	K		N	Base holes
			BAU/TAU	TAD			Arr. 1	Arr. 8		Arr. 1	Arr. 8		
24	7.06	22.06	33.67	33.67	26.67	18.09	32.68	32.68*	3.38	8	8	14.25	0.75
27	7.89	24.82	37.87	37.87	30.00	20.35	33.52	33.52*	3.38	8	8	14.25	0.75
30	8.73	27.58	42.08	42.08	33.34	22.61	33.60	33.60*	3.38	8	8	13.50	0.75
33	9.94	31.57	48.17	48.17	38.16	25.88	37.56	37.56*	3.38	8	8	16.25	0.75
36	10.65	33.91	51.75	51.75	41.00	27.81	38.77	38.77*	3.38	8	8	16.75	0.75
40	11.96	37.84	57.75	57.75	45.75	31.03	41.21	41.21*	3.50	8	8	17.75	0.75
44	12.92	41.01	62.58	62.58	49.58	33.63	42.67	42.67*	3.50	8	8	18.25	0.75
49	14.59	46.53	71.00	71.00	56.25	38.15	45.09	45.09*	3.50	8	8	19.00	0.75
54	15.79	50.46	77.00	77.00	61.00	41.38	46.79	46.79*	3.50	8	8	19.50	0.75
60	17.46	55.97	85.42	85.42	67.67	45.90	50.46	50.46*	3.50	8	8	21.50	0.75
66	19.13	61.49	93.83	93.83	74.33	50.42	52.88	52.88*	3.50	8	8	22.25	0.75
73	21.28	68.59	104.67	104.67	82.92	56.24	58.78	58.78*	3.50	8	8	26.00	0.88

Dimensions are in inches.

† Dimensions will vary with narrow-width construction.

*Overall length of the fan assembly will approximately be "H" plus the overall length of the motor.