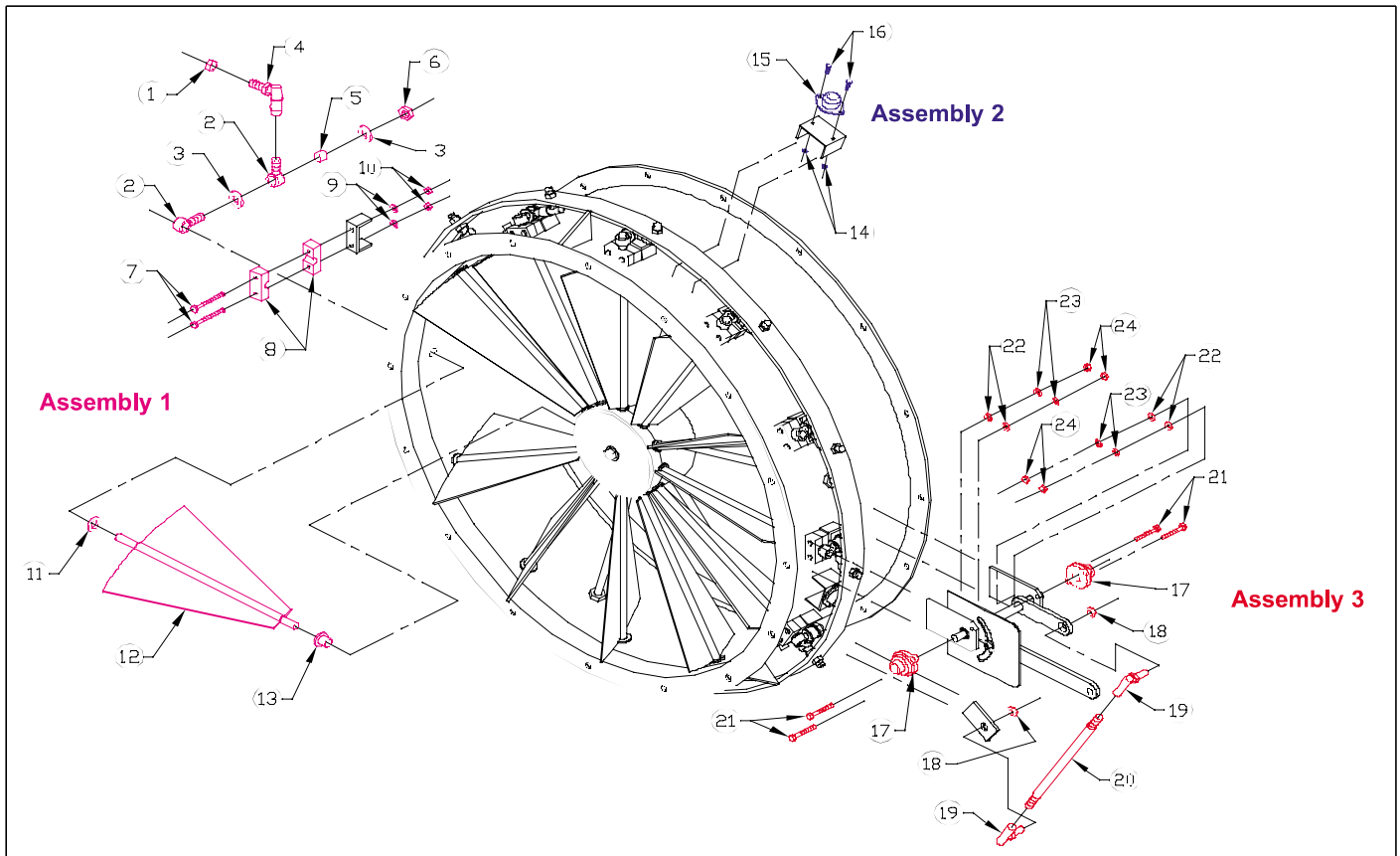


# nyb DAMPER REPLACEMENT PARTS

## External Inlet Damper



Assembly 1	
Item	Vane & Ball Joint Package
1	Hex Nut (for Vane Rod Ball Joint) (1)
2	Rod End (2)
3	SAE Flat Washer (For Rod End) (2)
4	Ball Joint (For Vane Rod) (1)
5	Rod End Bearing (1)
6	Lock Nut (For Rod End) (1)
7	Hex Head Bolt (For Shell Bearing) (2)
8	Bearing Block (1)
9	Lock Washer (For Shell Bearing) (2)
10	Hex Nut (For Shell Bearing) (2)
11	Flat Washer (Shim for Fulcrum) (1)
12	Vane & Vane Rod (1)
13	Inner Ring Bearing (1)

Assembly 2	
Item	Control Ring Ball Transfer Package
14	Square Nut (for Ball Transfer) *
15	Ball Transfer *
16	Stove Bolt (for Ball Transfer) *
*	Quantity is dependent on size.

Assembly 3	
Item	Fulcrum Package
17	Bearing (for Fulcrum) (2)
18	Hex Nut (For Push Rod Ball Joint) (2)
19	Ball Joint (for Push Rod) (2)
20	Push Rod (1)
21	Hex Head Bolts (for Fulcrum) (4)
22	Flat Washers (for Fulcrum) (4)
23	Lock Washers (for Fulcrum) (4)
24	Hex Nuts (for Fulcrum) (4)

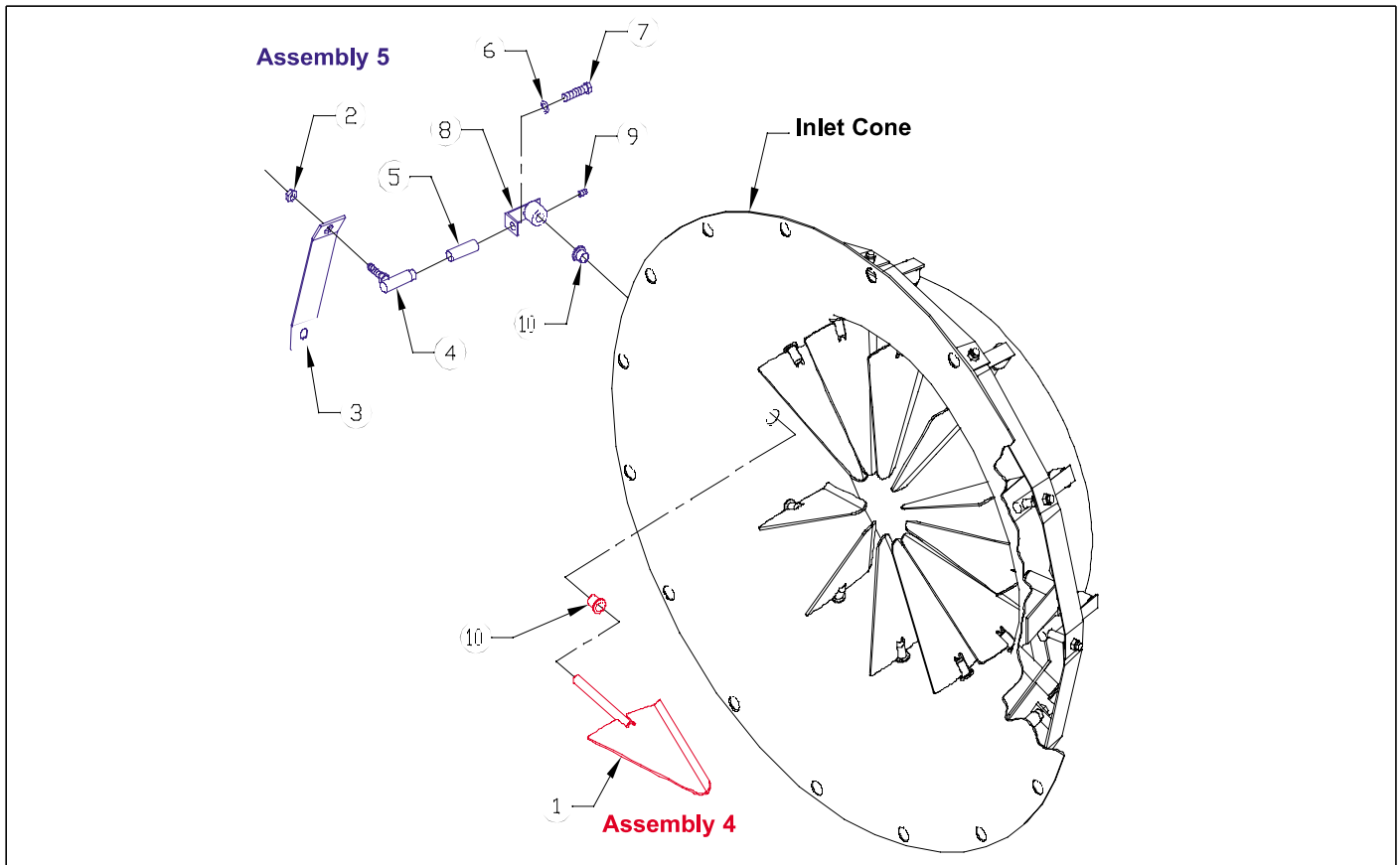
Size			Number of Vanes Per Damper
AF RTS	AcF/PLR GP & TA	GI	
—	—	29	6
—	18	33-40	8
24-49	20-40	45-78	12
54-73	44-60	85	16
—	66-73	—	20

### NOTES:

- 1) Control Rod available as an option with Assembly 1. Specify if it is needed. If so, indicate if rod connects to an actuator.
- 2) Assembly Packages include sufficient parts to rebuild/replace entire damper (not including housing).
- 3) Full damper as replacement is also available. Consult your **nyb** Sales Representative.

# nyb DAMPER REPLACEMENT PARTS

## Internal Inlet Damper



Assembly 4	
Item	Vane & Vane Rod Package
1	Vane & Vane Rod (4)

Assembly 5	
Item	Hardware Package
2	Lock Nut (4)
3	Control Ring Bar (4)
4	Ball Joint (4)
5	Rod End Spacer (Sizes 18-33) (4)
6	Lock Washer (4)
7	Socket Head Capscrew (for Sizes 18-33) (4)
	Hex Head Bolt (for Sizes 36-73) (4)
8	Vane Arm & Set Collar (for Sizes 36-73) (4)
9	Set Screw (for Sizes 36-73) (8)
10	Bushing (8)

Size	Number of Vanes Per Damper
16	8
18	8
20	8
22	8
24	8
27	8
30	8
33	8
36	12
40	12
44	12
49	12
54	20
60	20
66	20
73	20

### NOTES:

- 1) Control Rod also available. Specify if required.
- 2) Packages include parts for four rebuild/replace vanes.
- 3) Full damper as replacement also available. Consult your **nyb** Sales Representative.
- 4) Internal Inlet Dampers are used on **nyb** AcoustaFoil and PLR fan products.