

THERMAL POWER GENERATION



THE NEW YORK BLOWER COMPANY

(800) 208-7918 • nyb.com

Airfoil and Backward Curved Centrifugal Fans

Adjustable at Rest Axial Fans

Abrasion & Corrosion-Resistant Designs

Repair & Replacement Components
for All Manufacturers' Designs

Energy Efficiency Upgrade Retrofits



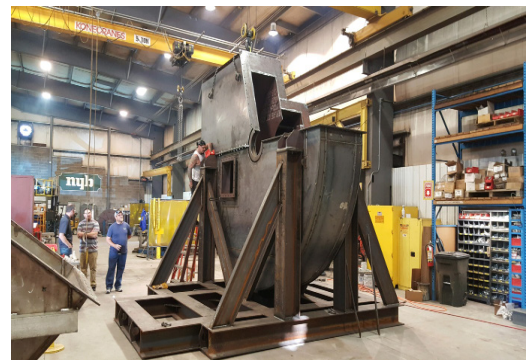
APPLICATIONS

PA, FD, ID, Booster, SCR Ammonia Injection Fans

The New York Blower Company offers a comprehensive range of products and services ideally suited for thermal power generation applications, both existing and new build. Nyb's wide variety of high-efficiency backward curved and airfoil impeller designs can be tailored to meet the demands of any installation. Our engineers have years of experience combating erosion, corrosion, and high temperatures; common challenges encountered in power generation applications.

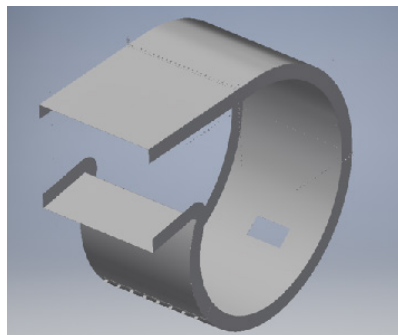
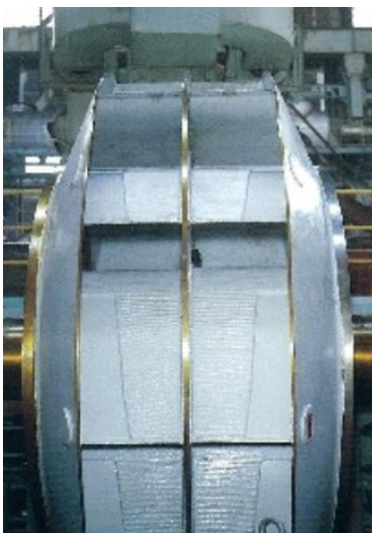
TYPICAL FAN TYPES

- ▶ Centrifugal: Single and Double width, center-hung, W/Integral inlet box(es), Backward Curved and Airfoil Impellers.
- ▶ Axial: Adjustable Pitch at Rest, Single or Multi-Stage, Arrangement 3, W/inlet Box, External Bearing & Motor, Internal Bearing Sealed from Airstream.



FLOW CONTROL

- ▶ High-Efficiency Variable Inlet Vane Dampers.
- ▶ Variable Speed/Frequency Drives.



AVAILABLE DESIGN FEATURES

- ▶ Wear protection including A514, A36, Tungsten Carbide, and other wear resistant materials.
- ▶ Housing scroll & cheek liners. Split Housing Construction (customized per application)
- ▶ Access Doors
- ▶ Expansion joints at inlet/outlet
- ▶ Silencers, Insulation, and Lagging
- ▶ Hydrodynamic sleeve or Antifriction Roller Bearings.
- ▶ Catalog and Custom Designed Fans
- ▶ Temperatures to 850° F plus



NEW YORK BLOWER COMPANY

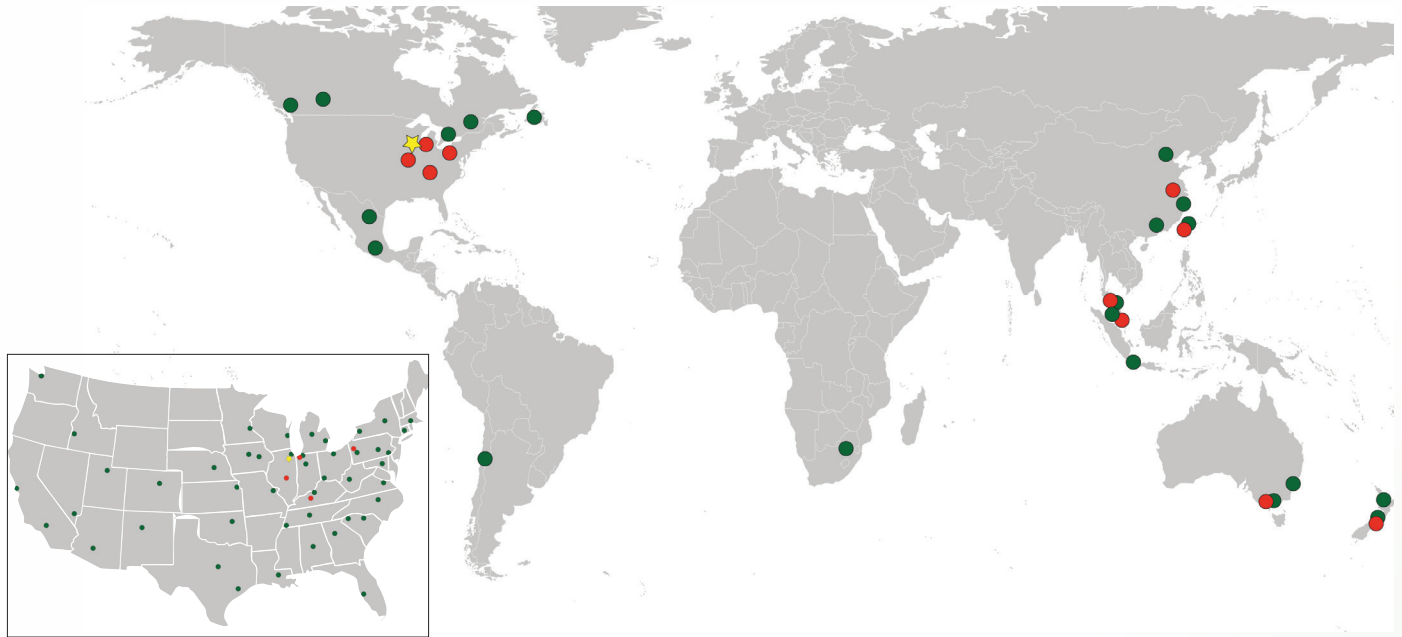
The New York Blower Company designs and builds the widest array of heavy industrial centrifugal and axial fans and fan components in the industrial process market. From supplying individual components for legacy equipment to complete fan systems, nyb delivers the products and support to maximize fan availability and optimize life-cycle costs. Our representatives work with plant engineers, maintenance and design teams to develop application-specific custom fan solutions that meet the exact requirements of the individual process. Our commitment to each customer is demonstrated by unrivaled site-support and continuing development of improved design, welding and fabrication techniques - all backed by our warranty. Our experienced field engineers and technicians are ready to assist, around-the-clock, for emergency repair, fan troubleshooting, fan assessment and preventative maintenance. Further, we have the teams to service/repair/install replacement components or complete fans, regardless of the original manufacturer. Industries, processes and technologies continue to evolve. For over 130 years, The New York Blower Company has and will continue to evolve right along with them.

PRODUCTS AND SERVICES

- ▶ Axial/Inline Fans
- ▶ Centrifugal Fans
- ▶ Custom Designed Fans
- ▶ Plenums and Double Widths
- ▶ Pressure Blowers
- ▶ Fiberglass Reinforced Plastic
- ▶ Process Heat or Plug Fans
- ▶ Packaged Fan Systems
- ▶ Steam Coil Products
- ▶ Ventilator Products
- ▶ Replacement Parts
- ▶ Emergency Repair
- ▶ Fan Troubleshooting
- ▶ Finite Element Analysis (FEA)
- ▶ Computational Fluid Dynamics

Continuing to Expand Locations, Products

By expanding our manufacturing facilities and adding representatives from around the world, we are better able to serve our customers domestically and internationally. We now have 560,000 ft² manufacturing space in the United States. In addition, we own the largest indoor AMCA accredited laboratory in North America, which allows us to confidently and accurately test and rate our products for performance, efficiency, and sound.



- - representative office
- - manufacturing facility
- ★ - corporate headquarters

SALES REPRESENTATIVE OFFICES

Canada

Calgary
Montreal
Saint John
Toronto
Vancouver

Mexico

Mexico City
Monterrey

Australia

Melbourne
Sydney

China

Beijing
Guangzhou
Shanghai

Chile – Huechuraba

Indonesia – Jakarta

Malaysia – Johor

New Zealand

Auckland
Wellington

Philippines – Manila

Singapore

South Africa

Taiwan – Taipei

MANUFACTURING LOCATIONS

Ashville, NC
Effingham, IL
LaPorte, IN
Leitchfield, KY
New Castle, PA

Australia—Melbourne
China—Kunshan
China—Suqain
New Zealand—Auckland
New Zealand—Wellington

Philippines—Manila
Singapore
Taiwan—Taipei
Vietnam—Ho Chi Minh City



THE NEW YORK
BLOWER COMPANY

800-208-7918 | nyb.com



Member of Air Movement
and Control Association